
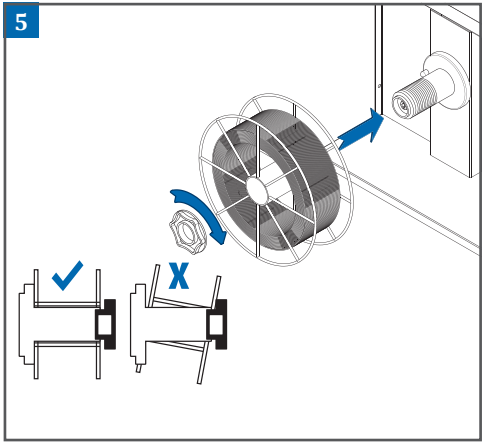
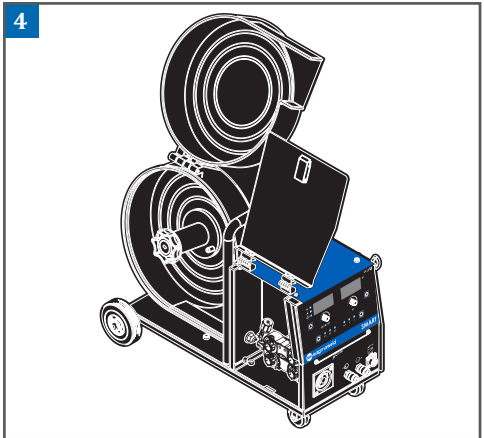
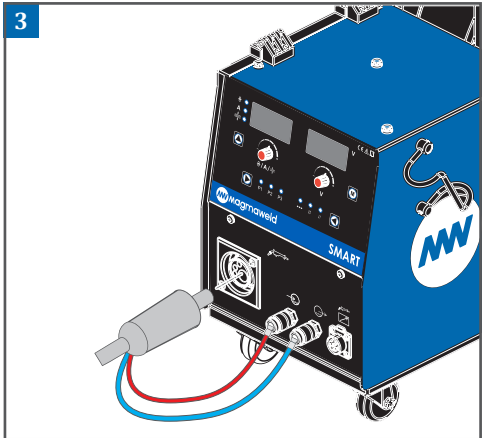
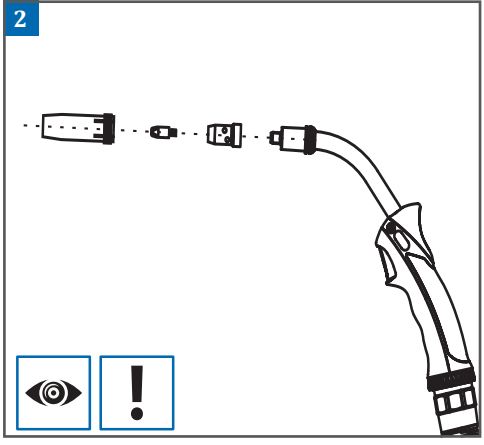
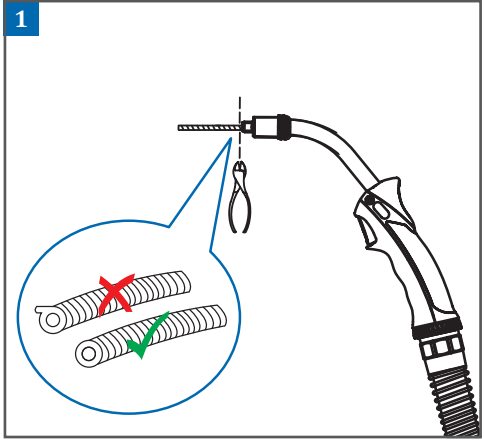


QUICK START SMART SERIES



(+90) 444 93 53
magmaweld.com
info@magmaweld.com

 (+90) 538 927 12 62



6

Type	Definition	Size	Code
V	Steel	0.8-1.0 mm	
V	Steel	1.0-1.2 mm	
V	Steel	1.2-1.6 mm	
V	Steel	2.0-2.4 mm	
U	Al	0.8-1.0 mm	
U	Al	1.0-1.2 mm	
U	Al	1.2-1.6 mm	
U	Al	2.0-2.4 mm	
	FCW	1.0-1.2 mm	
	FCW	1.2-1.6 mm	
	FCW	2.0-2.4 mm	

