



USER MANUAL

monoTIG 160i
monoTIG 200i



(+90) 444 93 53
magmaWeld.com
info@magmaWeld.com

 (+90) 538 927 12 62

All rights reserved. It is prohibited to reproduce this documentation, or any part thereof, without the prior written authorisation of Magma Mekatronik Makine Sanayi ve Ticaret A.Ş.
Magma Mekatronik may modify the information and the images without any prior notice.
Tüm hakları saklıdır. Magma Mekatronik Makine Sanayi ve Ticaret A.Ş.'nin yazılı izni olmaksızın bu dokümanın tamamının ya da bir bölümünün kopyalanması yasaktır.
Magma Mekatronik önceden haber vermeksizin bilgilerde ve resimlerde değişiklik yapılabilir.

INVERTER TIG WELDING MACHINE

EN

POSTE DE SOUDAGE TIG INVERTER

FR

ИНВЕРТОРНАЯ СВАРКА TIG

RU

İNVERTER TIG KAYNAK MAKİNASI

TR



EN 60974-1

EN 60974 -10



 **CONTENTS**

SAFETY PRECAUTIONS	5
1 TECHNICAL INFORMATION	
1.1 General Information	11
1.2 Machine Components	11
1.3 Product Label	12
1.4 Technical Data	13
1.5 Accessories	13
2 INSTALLATION	
2.1 Delivery Control	14
2.2 Installation and Operation Recommendations	14
2.3 Connections for TIG Welding	15
2.3.1 Connection to Mains	15
2.3.2 Gas Connections	15
2.3.3 Preparing the Torch Connections	16
2.3.4 Torch Connections	16
2.3.5 Earth Clamp Connections	16
2.3.6 Changing the Tungsten Electrode	17
2.4 Connections for MMA Welding	17
3 OPERATION	
3.1 User Interface	18
3.2 TIG Cycle	19
3.3 Menu Structure	19
3.3.1 TIG Welding Process	19
3.3.2 Usage of the TIG Welding Trigger	20
3.3.3 MMA Welding Process	20
4 MAINTENANCE AND SERVICE	
4.1 Maintenance	21
4.2 Troubleshooting	22
4.3 Error Codes	22
5 ANNEX	
5.1 Spare Parts List	23
5.2 Connection Diagrams	26

SAFETY PRECAUTIONS

EN

Be Sure To Follow All Safety Rules In This Manual!

Explanation Of Safety Information



- Safety symbols found in the manual are used to identify potential hazards.
- When any one of the safety symbols are seen in this manual, it must be understood that there is a risk of injury and the following instructions should be read carefully to avoid potential hazards.
- The possessor of the machine is responsible for preventing unauthorized persons from accessing the equipment.
- Persons using the machine must be experienced or fully trained in welding / cutting they have to read the user manual before operation and follow the safety instructions.

Explanation Of Safety Symbols



ATTENTION

Indicates a potentially hazardous situation that could cause injury or damage. In case if no precaution is taken, it may cause injuries or material losses / damages.



IMPORTANT

Specifies notifications and alerts on how to operate the machine.



DANGER

Indicates a serious danger. In case if not avoided, severe or fatal injuries may occur.

Comprehending Safety Precautions



- Read the user manual, the label on the machine and the safety instructions carefully.
- Make sure that the warning labels on the machine are in good condition. Replace missing and damaged labels.
- Learn how to operate the machine, how to make the checks in a correct manner.
- Use your machine in suitable working environments.
- Improper changes made in your machine will negatively affect the safe operation and its longevity.
- The manufacturer is not responsible for the consequences resulting from the operation of the device beyond the specified conditions.

Electric Shocks May Kill



Make certain that the installation procedures comply with national electrical standards and other relevant regulations, and ensure that the machine is installed by authorized persons.

- Wear dry and sturdy insulated gloves and working apron. Never use wet or damaged gloves and working aprons.
- Wear flame-resistant protective clothing against the risk of burning. The clothing used by the operator must be protective against sparks, splashing and arc radiation.
- Do not work alone. In case of a danger make sure you have someone for help in your working environment.
- Do not touch the electrode with the bare hand. Do not allow the electrode holder or electrode to come in contact with any other person or any grounded object.
- Never touch parts that carry electricity.
- Never touch the electrode if you are in contact with the electrode attached to the work surface, floor or another machine.
- By isolating yourself from the work surface and the floor, you can protect yourself from possible electric shocks. Use a non-flammable, electrically insulating, dry and undamaged insulation material that is large enough to cut off the operator's contact with the work surface.
- Do not connect more than one electrode to the electrode holder.
- Clamp work cable with good metal-to-metal contact to workpiece or worktable as near the weld as practical.
- Check the torch before operating the machine. Make sure the torch and its cables are in good condition. Always replace a damaged, worn torch.
- Do not touch electrode holders connected to two machines at the same time since double open-circuit voltage will be present.
- Keep the machine turned off and disconnect cables when not in use.
- Before repairing the machine, remove all power connections and / or connector plugs or turn off the machine.
- Be careful when using a long mains cable.

- Make sure all connections are tight, clean, and dry.
 - Keep cables dry, free of oil and grease, and protected from hot metal and sparks.
 - Bare wiring can kill. Check all cables frequently for possible damage. If a damaged or an uninsulated cable is detected, repair or replace it immediately.
 - Insulate work clamp when not connected to workpiece to prevent contact with any metal object.
 - Make sure that the grounding of the power line is properly connected.
 - Do not use AC weld output in damp, wet, or confined spaces, or if there is a danger of falling.
 - Use AC output ONLY if required for the welding process.
 - If AC output is required, use remote output control if present on unit.
- Additional safety precautions are required when any of the following electrically hazardous conditions are present :**
- in damp locations or while wearing wet clothing,
 - on metal structures such as floors, gratings, or scaffolds,
 - when in cramped positions such as sitting, kneeling, or lying,
 - when there is a high risk of unavoidable or accidental contact with the workpiece or ground.
- For these conditions, use the following equipment in order presented:
- Semiautomatic DC constant voltage (CV) MIG welding machine,
 - DC manual MMA welding machine,
 - DC or AC welding machine with reduced open-circuit voltage (VRD), if available.

Procedures for Electric Shock



- Turn off the electric power.
- Use non-conducting material, such as dry wood, to free the victim from contact with live parts or wires.
- Call for emergency services.

If you have first aid training;

- If the victim is not breathing, Administer cardiopulmonary resuscitation (CPR) immediately after breaking contact with the electrical source. Continue CPR (cardiac massage) until breathing starts or until help arrives.
- Where an automatic electronic defibrillator (AED) is available, use according to instructions.
- Treat an electrical burn as a thermal burn by applying sterile, cold (iced) compresses. Prevent contamination, and cover with a clean, dry dressing.

Moving Parts May Cause Injuries



- Keep away from the moving parts.
- Keep all protective devices such as covers, panels, flaps, etc., of machinery and equipment closed and in locked position.
- Wear metal toe shoes against the possibility of heavy objects falling on to your feet.

Fumes and Gases May Be Harmful To Your Health



Long-term inhalation of fumes and gases released from welding / cutting is very dangerous.

- Burning sensations and irritations in the eyes, nose and throat are signs of inadequate ventilation. In such a case, immediately boost the ventilation of the work area, and if the problem persists, stop the welding / cutting process completely.
- Create a natural or artificial ventilation system in the work area.
- Use a suitable fume extraction system where welding / cutting works are being carried out. If necessary, install a system that can expel fumes and gases accumulated in the entire workshop. Use a suitable filtration system to avoid polluting the environment during discharge.
- If you are working in narrow and confined spaces or if you are welding lead, beryllium, cadmium, zinc, coated or painted materials, use masks that provide fresh air in addition to the above precautions.
- If the gas tanks are grouped in a separate zone, ensure that they are well ventilated, keep the main valves closed when gas cylinders are not in use, pay attention to possible gas leaks.
- Shielding gases such as argon are denser than air and can be inhaled instead of air if used in confined spaces. This is dangerous for your health as well.
- Do not perform welding / cutting operations in the presence of chlorinated hydrocarbon vapors released during lubrication or painting operations.
- Some welded / cut parts require special ventilation. The safety rules of products that require special ventilation should be read carefully. A suitable gas mask should be worn when necessary.

Arc Light May Damage Your Eyes and Skin

- Use a standard protective mask and a suitable glass filter to protect your eyes and face.
- Protect other naked parts of your body (arms, neck, ears, etc.) with suitable protective clothing from these rays.
- Enclose your work area with flame-resistant folding screens and hang warning signs at eye level so that people around you will not sustain injuries from arc rays and hot metals.
- This machine is not used for heating of icebound pipes. This operation performed with the welding / cutting machine causes explosion, fire or damage to your installation.

Sparks and Spattering Particles May Get Into Eyes and Cause Damage

- Performing works such as welding / cutting, surface grinding, and brushing cause sparks and metal particles to splatter. Wear approved protective work goggles which have edge guards under the welding masks to prevent sustaining possible injuries.

Hot Parts May Cause Severe Burns

- Do not touch the hot parts with bare hands.
- Wait until the time required for the machine to cool down before working on its parts.
- If you need to hold hot parts, use suitable tools, welding / cutting gloves with high-level thermal insulation and fire-resistant clothes.

Noise May Cause Damage To Your Hearing Ability

- The noise generated by some equipment and operations may damage your hearing ability.
- Wear approved personal ear protective equipment if the noise level is high.

Welding Wires Can Cause Injuries

- Do not point the torch towards any part of the body, other persons, or any metal while unwrapping the welding / cutting wire.
- When welding wire is run manually from the roller especially in thin diameters the wire can slip out of your hand, like a spring or can cause damage to you or other people around, therefore you must protect your eyes and face while working on this.

Welding Operations May Cause Fire and Explosion

- Never perform welding / cutting work in places near flammable materials. There may be fire or explosions.
- Before starting the welding / cutting work, remove these materials from the environment or cover them with protective covers to prevent combustions and flaring.
- National and international special rules apply in these areas.
- Do not apply welding / cutting operations into completely closed tanks or pipes.
- Before welding to tanks and closed containers, open them, completely empty them, and clean them. Pay the greatest attention possible to the welding / cutting operations you will perform in such places.
- Do not weld in tanks and pipes which might have previously contained substances that may cause explosions, fires or other reactions.
- Welding / cutting equipment heats up. For this reason, do not place it on surfaces that could easily burn or be damaged !
- Sparks and splashing parts may cause a fire. For this reason, keep materials such as fire extinguishers tubes, water, and sand in easily accessible places.
- Use holding valves, gas regulators and valves on flammable, explosive and compressed gas circuits. Make sure that they are periodically inspected and pay attention that they run reliably.

Maintenance Work Performed by Unauthorized Persons To Machines and Apparatus May Cause Injuries

- Electrical equipment should not be repaired by unauthorized persons. Errors occurred if failed to do so may result in serious injury or death when using the equipment.
- The gas circuit elements operate under pressure; explosions may occur as a result of services provided by unauthorized persons, users may sustain serious injuries.
- It is recommended to perform technical maintenance of the machine and its auxiliary units at least once a year.

Welding / Cutting in Small Sized and Confined Spaces

- In small-sized and confined spaces, absolutely make sure to perform welding / cutting operations, accompanied by another person.
- Avoid performing welding / cutting operations in such enclosed areas as much as possible.

**Failure To Take Precautions During Transport May Cause Accidents**

- Take all necessary precautions when moving the machine. The areas where the machine to be transported, parts to be used in transportation and the physical conditions and health of the person carrying out the transportation works should be suitable for the transportation process.
- Some machines are extremely heavy; therefore, make sure that the necessary environmental safety measures are taken when changing their places.
- If the machine is to be used on a platform, it must be checked that this platform has suitable load bearing limits.
- If it is to be transported by means of a haulage vehicle (transport trolley, forklift etc.), make sure of the durability of the vehicle, and the connection points (carrying suspenders, straps, bolts, nuts, wheels, etc.) that connect the machine to this vehicle.
- If the machine will be carried manually, make sure the durability of the machine apparatuses (carrying suspenders, straps, etc.) and connections.
- Observe the International Labor Organization's rules on carriage weights and the transport regulations in force in your country in order to ensure the necessary transport conditions.
- Always use handles or carrying rings when relocating the power-supply sources. Never pull from torches, cables or hoses. Be absolutely sure to carry gas cylinders separately.
- Remove all interconnections before transporting the welding / cutting equipment, each being separately, lift and transport small ones using its handles, and the big ones from its handling rings or by using appropriate haulage equipment, such as forklifts.

Falling Parts May Cause Injuries

Improper positioning of the power-supply sources or other equipment can cause serious injury to persons and physical damage to other objects.

- Place your machine on the floor and platforms with a maximum tilt of 10° so that it does not fall or tip over. Choose places that do not interfere with the flow of materials, where there is no risk of tripping over on cables and hoses; yet, large, easily ventilatable, dust-free areas. To prevent gas cylinders from tipping over, on machines with a gas platform suitable for the tanks, fix the tanks on to the platform; in stationary usage applications, fix them to the wall with a chain in a way that they would not tip over for sure.
- Allow operators to easily access settings and connections on the machine.

Excessive Use Of The Machine Causes Overheating

- Allow the machine to cool down according to operation cycle rates.
- Reduce the current or operation cycle rate before starting the welding / cutting again.
- Do not block the fronts of air vents of the machines.
- Do not put filters that do not have manufacturer approvals into the machine's ventilation ports.

Excessive Use Of The Machine Causes Overheating

- This device is in group 2, class A in EMC tests according to TS EN 55011 standard.
- This class A device is not intended for use in residential areas where electrical power is supplied from a low-voltage power supply. There may be potential difficulties in providing electromagnetic compatibility due to radio frequency interference transmitted and emitted in such places.



This device is not compliant with IEC 61000 -3-12. In case if it is desired to be connected to the low voltage network used in the home, the installer to make the electrical connection or the person who will use the machine must be aware that the machine has been connected in such a manner; in this case the responsibility belongs to the user.

- Make sure that the work area complies with electromagnetic compatibility (EMC). Electromagnetic interferences during welding / cutting operations may cause undesired effects on your electronic devices and network; and the effects of these interferences that may occur during these operations are under the responsibility of the user.
- If there is any interference, to ensure compliance; extra measures may be taken, such as the use of short cables, use of shielded (armored) cables, transportation of the welding machine to another location, removal of cables from the affected device and / or area, use of filters or taking the work area under protection in terms of EMC.
- To avoid possible EMC damage, make sure to perform your welding / cutting operations as far away from your sensitive electronic devices as possible (100 m).

- Ensure that your welding and/or cutting machine has been installed and situated in its place according to the user manual.

Evaluation Of Electromagnetic Suitability Of The Work Area



According to article 5.2 of IEC 60974-9;

Before installing the welding / cutting equipment, the person in charge of the operation and / or the user must conduct an inspection of possible electromagnetic interference in the environment.

Aspects indicated below has to be taken into consideration;

- Other supply cables, control cables, signal and telephone cables, above and below the welding / cutting machine and its equipment,
- Radio and television transmitters and receivers,
- Computer and other control hardware,
- Critical safety equipment, e.g. protection of industrial equipment,
- Medical apparatus for people in the vicinity, e.g. pacemakers and hearing aids,
- Equipment used for measuring or calibration,
- Immunity of other equipment in the environment. The user must ensure that the other equipment in use in the environment is compatible. This may require additional protection measures.
- Considering the time during which the welding / cutting operations or other activities take place during the day, the boundaries of the investigation area can be expanded according to the size of the building, the structure of the building and other activities that are being performed in the building.

In addition to the evaluation of the field, evaluation of device installations may also be necessary for solving the interfering effect. In case if deemed necessary, on-site measurements can also be used to confirm the efficiency of mitigation measures.

(Source: IEC 60974-9).

Electromagnetic Interference Reduction Methods



- The appliance must be connected to the electricity supply in the recommended manner by a competent person. If interference occurs, additional measures may be applied, such as filtering the network. The supply of the fixed-mounted arc welding equipment must be made in a metal tube or with an equivalent shielded cable. The housing of the power supply must be connected and a good electrical contact between these two structures has to be provided.
- The recommended routine maintenance of the appliance must be carried out. All covers on the body of the machine must be closed and / or locked when the device is in use. Any changes, other than the standard settings without the written approval of the manufacturer, cannot be modified on the appliance. Otherwise, the user is responsible for any consequences that may possibly occur.
- Welding / cutting cables should be kept as short as possible. They must move along the floor of the work area, in a side by side manner. Welding / cutting cables should not be wound in any way.
- A magnetic field is generated on the machine during welding / cutting. This may cause the machine to pull metal parts on to itself. To avoid this attraction, make sure that the metal materials are at a safe distance or fixed. The operator must be insulated from all these interconnected metal materials.
- In cases where the workpiece cannot be connected to the ground due to electrical safety, or because of its size and position (for example, in building marine vessel bodies or in steel construction manufacturing), a connection between the workpiece and the grounding may reduce emissions in some cases, it should be kept in mind that grounding of the workpiece may cause users to sustain injuries or other electrical equipment in the environment to break down. In cases where necessary, the workpiece and the grounding connection can be made as a direct connection, but in some countries where direct connection is not permissible, the connection can be established using appropriate capacity elements in accordance with local regulations and ordinances.
- Screening and shielding of other devices and cables in the work area can prevent aliasing effects. Screening of the entire welding / cutting area can be evaluated for some specific applications.

Electromagnetic Field (EMF)



The electrical current passing through any conductor generates zonal electric and magnetic fields (EMF).

All operators must follow the following procedures to minimize the risk of exposure to EMF;

- In the name of reducing the magnetic field, the welding / cutting cables must be assembled and secured as far as possible with the joining materials (tape, cable ties etc.).
- The operator's body and head should be kept as far away from the welding / cutting machine and cables as possible,

The electrical current passing through any conductor generates zonal electric and magnetic fields (EMF).

All operators must follow the following procedures to minimize the risk of exposure to EMF;

- In the name of reducing the magnetic field, the welding / cutting cables must be assembled and secured as far as possible with the joining materials (tape, cable ties etc.).
- The operator's body and head should be kept as far away from the welding / cutting machine and cables as possible,
- Welding / cutting and electric cables should not be wrapped around the body of the machine in any way,
- The body of the machine should not get caught between the welding / cutting cables. The source cables must be kept away from the body of the machine, both being placed side by side,
- The return cable must be connected to the workpiece as close as possible to the work area,
- The welding / cutting machine should not rest against the power unit, ensconce on it and not work too close to it,
- Welding / cutting work should not be performed when carrying the wire supply unit or power unit.

EMF may also disrupt the operation of medical implants (materials placed inside the body), such as pacemakers. Protective measures should be taken for people who carry medical implants. For example, access limitation may be imposed for passers-by, or individual risk assessments may be conducted for welders. Risk assessment should be conducted and recommendations should be made by a medical professional for users who carry medical implants.



- Protection**
- Do not expose the machine to rain, prevent the machine from splashing water or pressurized steam.



- Energy Efficiency**
- Choose the welding / cutting method and welding machine for the welding work you are to perform.
 - Select the welding / cutting current and/or voltage to match the material and thickness you are going to weld.
 - If you have to wait for a long time before you start your welding / cutting work, turn off the machine after the fan has cooled it down. Our machines with smart fan control will turn off on their own.

Waste Procedure



- This device is not domestic waste. It must be directed to recycling within the framework of the European Union directive and national laws.
- Obtain information from your dealer and authorized persons about the waste management of your used machines.

WARRANTY FORM



Please visit our website www.magmaweld.com/warranty-form/wr for warranty form.

TECHNICAL INFORMATION

EN

1.1 General Information

Monotig 160i and Monotig 200i are an inverter type portable, mono-phase DC TIG-MMA welding machine designed for TIG welding of all kinds of thin metal sheets except aluminum & for MMA welding of all kinds of stick electrodes up to 4 mm. Current, time and program settings can easily be monitored by digital displays. Monotig 160, Monotig 200i proved well that it can work between 160 to 240 V 50-60 Hz line voltages. Therefore this machine is quite immune to mains voltage fluctuations and perfectly welds with generator-sets. Monotig 160, Monotig 200i can also be used with long welding cables up to 25 mt. The machine is fan cooled and thermally protected against over heating.

1.2 Machine Components

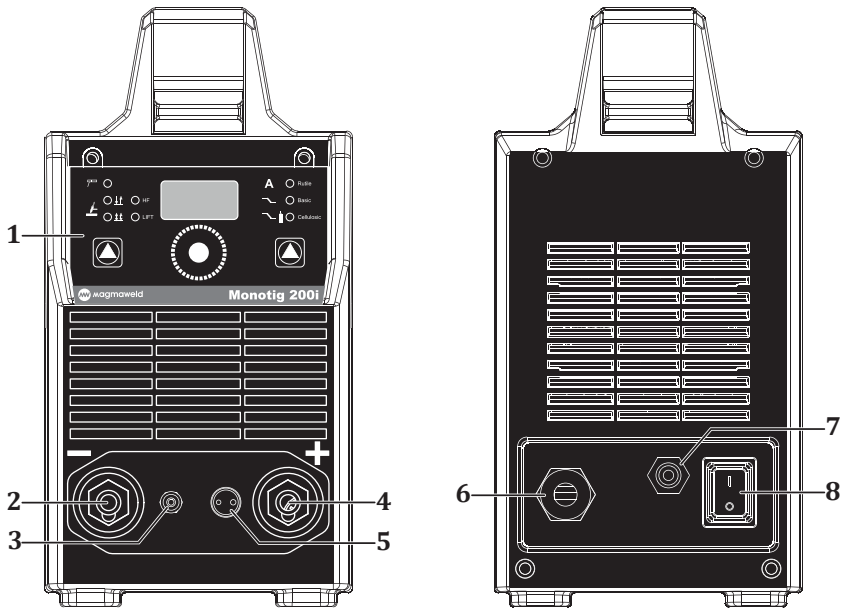
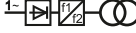






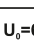


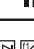
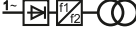


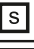



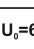


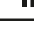


Figure 1 : Front and Rear View

- | | |
|--|---------------------------|
| 1- Control Panel | 5- Trigger Control Socket |
| 2- Welding and Ground Cable Socket (-) | 6- Supply Cable Inlet |
| 3- Gas Output | 7- Gas Inlet |
| 4- Welding and Ground Cable Socket (+) | 8- On / Off Switch |

1.3 Product Label

MAGMA MEKATRONİK MAKİNE SAN. VE TİC. A.Ş. Organize Sanayi Bölgesi 5.Kısım Manisa-TÜRKİYE			
MONOTIG 160i		S/N:	
		EN 60974-1/-10 Cl. A	
		5A / 10.2V - 160A / 16.4V	
	$U_0=65V$	$X^{(40^\circ C)}$	30% 60% 100%
	U_2	I_2	160A 113A 88A
	$U_1=230V$	$I_{1max}=21.8A$	$I_{1eff}=12A$
		5A / 20.2V - 160A / 26.4V	
	$U_0=65V$	$X^{(40^\circ C)}$	20% 60% 100%
	U_2	I_2	160A 92A 72A
	$U_1=230V$	$I_{1max}=32.2A$	$I_{1eff}=14.5A$
IP23	CE	EAC	UK CA

MAGMA MEKATRONİK MAKİNE SAN. VE TİC. A.Ş. Organize Sanayi Bölgesi 5.Kısım Manisa-TÜRKİYE			
MONOTIG 200i		S/N:	
		EN 60974-1/-10 Cl. A	
		5A / 10.2V - 200A / 18V	
	$U_0=65V$	$X^{(40^\circ C)}$	25% 60% 100%
	U_2	I_2	200A 129A 100A
	$U_1=230V$	$I_{1max}=29.1A$	$I_{1eff}=14.6A$
		5A / 20.2V - 200A / 28V	
	$U_0=65V$	$X^{(40^\circ C)}$	14% 60% 100%
	U_2	I_2	200A 97A 75A
	$U_1=230V$	$I_{1max}=41.5A$	$I_{1eff}=15.6A$
IP23	CE	EAC	UK CA


 Single Phase Transformer Rectifier

 TIG Welding

 MMA Welding

 Direct Current

 Vertical Characteristic

 Mains Input 1-Phase Alternating Current

 Suitable for Operation at Hazardous Environments

X Duty Cycle

U₀ Open Circuit Voltage

U₁ Mains Voltage and Frequency

U₂ Rated Welding Voltage

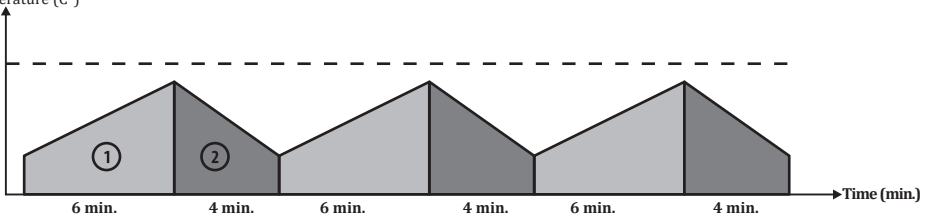
I₁ Rated Mains Current

I₂ Rated Welding Current

S₁ Rated Power

IP23S Protection Class

Duty Cycle
Temperature (C°)



As defined in the standard EN 60974-1, the duty cycle rate includes a time period of 10 minutes.

For example, if a machine specified as 250A at %60 is to be operated at 250A, the machine can weld / cut without interruption in the first 6 minutes of the 10 minutes period (zone 1). However, the following 4 minutes should be kept idle for the machine cool down (zone 2).

1.4 Technical Data

TECHNICAL DATA	UNIT	monoTIG 160i	monoTIG 200i
Mains Voltage (1 phase - 50-60 Hz)	V	230	230
Rated Power (MMA)	kVA	7.41 (%30)	9.55 (%25)
Rated Power (TIG)	kVA	5.01 (%30)	6.69 (%25)
Welding Current Range	ADC	5 - 160	5 - 200
Rated Welding Current	ADC	160 (%30)	200 (%25)
Open Circuit Voltage	VDC	65	65
Stick Electrode Diameter Range	mm	1.60 - 3.25	2.00 - 4.00
Tungsten Electrode Diameter Range	mm	1.20 - 2.40	1.00 - 2.40
Dimensions (l x w x h)	mm	520 x 160 x 312	520 x 160 x 312
Weight	kg	9.5	10
Protection Class		IP 23S	IP 23S

1.5 Accessories

STANDARD ACCESSORIES	QTY	monoTIG 160i	monoTIG 200i
Workpiece Clamp and Cable	1	7905212503 (25 mm ² - 3 m)	7905212503 (25 mm ² - 3 m)
Gas Hose	1	7907000002	7907000002
Torch (Air Cooled 4 m)	1	7110018004	7110018004
OPTIONAL ACCESSORIES	QTY	monoTIG 160i	monoTIG 200i
Electrode Clamp and Cable	1	7906201603	7910005200
Water Cooling Unit (CSP 40)	1	7910005200	7020001004
Gas Regulator	1	7020001004	7110018004
Lava TIG 26 (8 m) Air Cooled TIG Torch	1	7110018008	7110018008
Lava TIG 18W (4 m) Water Cooled TIG Torch	1	7110038004	7110038004
Lava TIG 18W (8 m) Water Cooled TIG Torch	1	7110038008	7110038008
TIG Accessory Set Air Cooled (Torch + Regulator)	1	7910000510	7910000510
Water Cooled TIG Accessory Set (Torch + Regulator)	1	7910000530	7910000530
Foot Pedal (On/Of)	1	7910000130	7910000130
Trolley	1	7910000100	7910000100

INSTALLATION

2.1 Delivery Control

Make sure that all the materials you have ordered have been received. If any material is missing or damaged, contact your place of purchase immediately.

Scope of supply;

- Welding machine and connected mains cable
- Workpiece clamp and cable
- Warranty certificate
- User manual

In case of a damaged delivery, record a report, take a picture of the damage and report to the transport company together with a photocopy of the delivery note. If the problem persists, contact the customer service.

Symbols and their meanings on the device



Welding may be dangerous. Proper working conditions should be ensured and necessary precautions should be taken. Specialists are responsible for the machine and have to be equipped with the necessary equipment and those who are not relevant should be kept away from the welding area.



This device is not compatible with IEC 61000-3-12. If it is desired to connect to the low voltage mains used in homes, it is essential that the installer or the person who will operate the machine to make the electrical connection has information on the machine's connectivity. In this case the responsibility will be assumed by the person who will perform the installation or by the operator.



The safety symbols and warning notes on the device and in the operating instructions must be observed and the labels must not be removed.



Grids are intended for ventilation. The openings should not be covered in order to provide good cooling and no foreign objects should be inserted.

2.2 Installation and Operation Recommendations

- Lifting rings or forklifts should be used to move the machine. Do not lift the machine with the gas cylinder. When manually carrying portable welding machines, action must be taken in accordance with Occupational Health and Safety regulations. Necessary arrangements must be made in the workplace to ensure that the transportation process is carried out in accordance with health and safety conditions as much as possible. Precautions should be taken in accordance with the characteristics of the working environment and the requirements of the job. Place the machine on a hard, level, smooth surface where it will not fall or tip over.
- If the ambient temperature exceeds 40°C, operate the machine at a lower current or a lower operating cycle.
- Avoid welding outdoors in windy and rainy weather circumstances. If welding is necessary in such cases, protect the welding area and the welding machine with a curtain and canopy. If you weld indoors, use a suitable fume extraction system. Use breathing apparatus if there is a risk of inhaling welding fumes and gas in confined spaces.
- Observe the duty cycle rates specified on the product label. Exceeding duty cycle rates can damage the machine and this may invalidate the warranty.
- Use the fuse that is compliant with your system.
- Secure the ground cable as close as possible to the welding area.
- Do not allow the welding current to pass through equipment other than the welding cables.
- Secure the gas cylinder to the wall with a chain.
- The welding cables and the mains cable must not be wrapped in the machine housing during operation.

2.3 Connections for TIG Welding

2.3.1 Connection to Mains



Before plugging your machine to the electrical line, check the line voltage.

- Switch the machine to the position "OFF" "0" and insert the plug into the socket.
- SWITCH ON the machine via power switch. Observe that the switch itself and the led displays in the front panel lits, also you should hear the sound of the cooler fan.

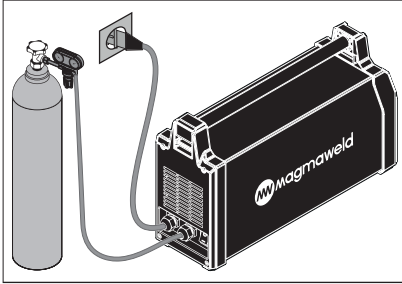


Figure 2 : Gas and Mains Connections

2.3.2 Gas Connections

- Secure the gas cylinder to a wall by a chain. To operate safety and get best results, use approved regulators.
- Open the gas cylinder valve few times in order to blow out any possible dirt or particles.
- Connect the gas regulator to the cylinder; make sure that the threading of the gas outlet of the cylinder and the nut of the regulator match.
- Connect one end of gas hose to the gas regulator and connect the other end to the gas supply inlet. Open the gas cylinder valve.

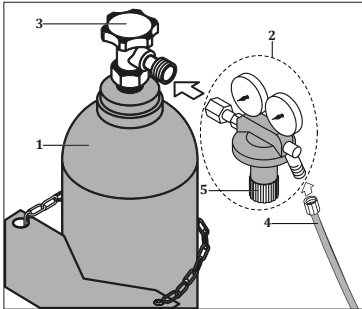


Figure 3 : Gas Cylinder - Regulator - Hose Connections

- Set the gas quantity with the pressure adjustment valve.
- Make sure that there are no gas leakages from any connection.

Diameter of Electrode (mm)	Diameter of Nozzle (mm)	Welding Current (ADC)	Gas Debit (lt/dak)
1.0	6.3	30-70	6-8
1.6	9.5	30-150	6-8

2.3.3 Preparing the Torch Connections

TIG torch connection via CX79 TIG torch adaptor

- Thread the nut of the torch through the plastic body and screw to the torch plug tightly. Then place the torch plug into the plastic body.
- Thread the L shape gas hose adapter through the hole on plastic body and screw it to the socket tightly.
- Connect the gas hose to the elbow union with the clamp tightly.
- Install the connector pins to the control cables of the torch.

2.3.4 Torch Connections

- Insert the TIG torch's plug into the negative pole welding socket and tighten it by turning to the right. Attach the torch trigger connector that came with the machine to the trigger control cables of the torch. Then connect the connector to the trigger control socket.
- Connect the gas hose of the torch to the gas outlet.
- In water-cooled models, connect the cold "blue" hose of the torch to the cold water outlet on the machine, and the hot "red" hose to the hot water inlet on the machine.

2.3.5 Earth Clamp Connections

- Connect the earth cable plug to the positive welding socket tightly.
- To increase the quality of the welding, connect the earth clamp tightly to the work-piece as close as possible to the welding area.

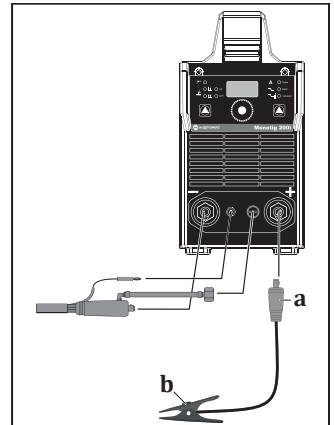


Figure 4 : TIG Welding Connections

2.3.6 Changing the Tungsten Electrode

- Unscrew the clamping cap.
- Remove the existing tungsten electrode from the collet and insert the new electrode in.
- Insert the collet into the torch.
- Screw the clamping cap tightly.
- The ceramic gas nozzle and the tungsten electrode diameters should be selected according to the working current and the shape of the work-piece. Therefore the collet, the collet body must be matched with the diameter of the tungsten electrode.

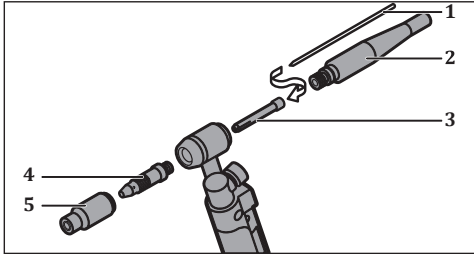
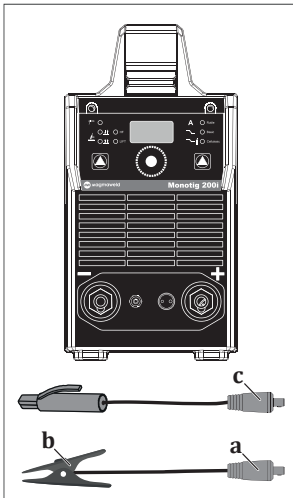


Figure 5 : Changing the Tungsten Electrode

2.4 Connections for MMA Welding

- Switch ON the machine by following the steps.
- According to the polarity of the electrode to be used, insert the electrode holder cable and the earth clamp cable plugs into their appropriate sockets and tighten them by turning clock-wise.
- Connect the earth clamp tightly to the work-piece as close as possible to the welding area.
- Adjust the desired current and the machine is ready to weld.
- Below table is given as a reference for current adjustment of mild steel electrodes, please refer to the electrode manufacturer's recommendations.

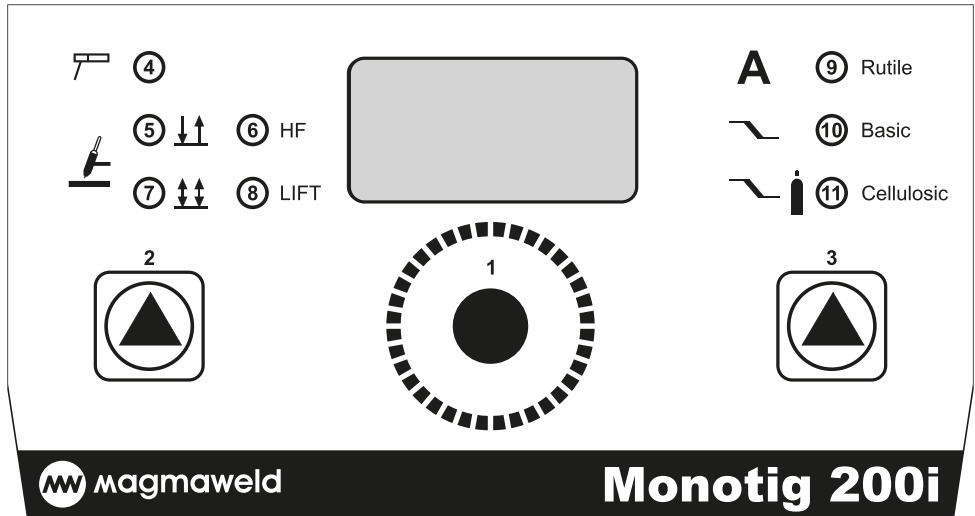


Covered Electrode Diameter (mm)	Recommended Welding Current		
	Rutile	Basic	Cellulosic
2.0	40-60 A	-	-
2.5	60-90 A	60-90 A	60-100 A
3.25	100-140 A	100-130 A	70-130 A
4.0	140-180 A	140-180 A	120-170 A

Figure 6 : MMA Welding Connections

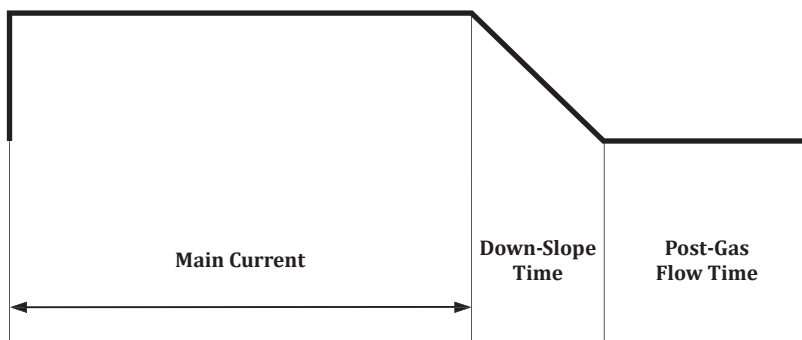
OPERATION

3.1 User Interface



1	Setting Function Selected function buttons selected prometer is increase or decreased.
2	Welding Mode Option Switch It is used for decision of MMA welding, TIG welding with HF or TIG welding with scratch modes.
3	Selecting Time, Gas and Type of Electrode
4	Led of MMA Mode MMA welding mode activated.
5	Led for Trigger Mode Welding current starts when the trigger is pulled and stops when the trigger is dropped.
6	HF Weld Start Welding current starts with high voltage arc voltage arc across the gas without contact between work piece and torch.
7	Led for Trigger Mode Welding current starts when the trigger is pulled and dropped and ends after pulled and dropped again.
8	LIFT Weld Start Welding starts with scratch between torch and working piece while the torch trigger is activated.
	When 9 led is on and machine is TIG mode, welding current can be increased or decreased by 1. When 10 led is on and machine is TIG mode, finish ramp time can be set by 1. When the machine is in TIG mode, press and hold the pot 1 and the pre-gas setting will be opened. The pre-gas parameter is adjusted by turning the pot 1 right and left. Press the pot 1 again to exit. When 11 led is on and machine is TIG mode, post gas parameters can be set by 1. 2 with this butto, when MMA 4 welding mode is selected 9 is Rutile, 10 is Basic, is Cellulosic can be chosen with 3.

3.2 TIG Cycle



3.3 Menu Structure

The statuses of the functions on or off according to the modes are as follows.

Parameter	Range	Factory Setting	LED	MMA Welding	2 Stroke TIG		4 Stroke TIG		Spot TIG	
					DC	DC	DC	DC		
Main Current	5-200 A	80 A	19	✓	✓	✓	✓	✓	✓	✓
Down-Slope Time	0-10 sec	1 sec	23		✓	✓	✓	✓		
Post-Gas Flow Time	0-20 sec	2 sec	25		✓	✓	✓	✓		

3.3.1 TIG Welding Process



In HF Start TIG mode, a high ignition voltage is present at the torch. Never touch the tungsten electrode or parts conducting welding current when the device is switched on.

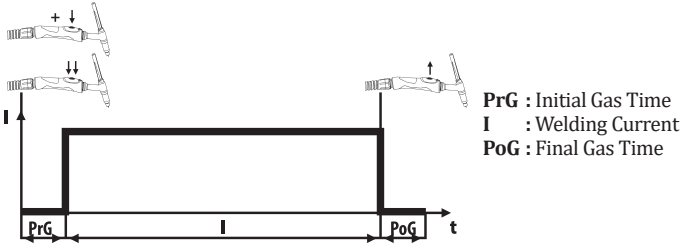
- 10 jobs programs including complete parameter settings can be stored and run for repeated jobs.
- In the first use, all parameters of all programs are in factory settings which are shown in the table.
- Push the program selection button. For selecting a previously adjusted program or changing its parameters.
- Push the welding mode selection button for selecting Touch-Lift TIG of HF start TIG.
- Push the 2 Stroke - 4 Stroke - Spot Welding Selection Button for selecting the appropriate mode for the work.
- Latest adjusted parameter values will be saved automatically. There is no need to do anything else for saving the settings.

Electrode Diameter "mm"	Recommended TIG Welding Current "A"
1.6	30-130
2.0	45-180
2.4	70-240

3.3.2 Usage of the TIG Welding Trigger

2 Stroke TIG Trigger

Push the torch trigger and do not release your finger. Current starts with start current after pre gas-flow period and increases according to the up-slope time adjustment and reaches to value of the main current. Welding goes on with the main current as long as the torch trigger is kept pushed. After releasing the trigger, current decreases according to down-slope time adjustment and reaches to final current, after post gas-flow period the operation ends.

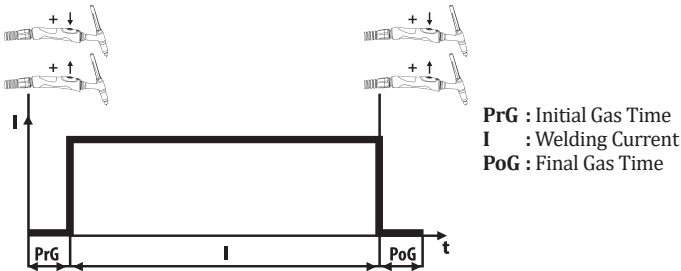


4 Stroke TIG Trigger

When torch trigger is pushed, following the pre-gas flow, initial current starts and when the trigger is released the current ramp leads to the welding current. If DC PULSE mode is selected, according to the adjusted frequency, welding current oscillates between this reached welding current and the base current. If the trigger will be pushed and released more than 1 second, current decreases according to down-ramp adjustment, reaches to the final current, after post gas, welding ends.

Base current is generally used for repairing and cooling during welding and crater filling at the finishing of the welding beads. Either during DC or during Pulsed DC welding if the trigger is pushed and released less than 1 second, DC base current will be on.

If the trigger will be pushed less than 1 second, welder will go back to the existing welding mode and parameters, but if the trigger will be pushed and released more than 1 second, welding will be finished by following the down-ramp, final current and post-gas.



3.3.3 MMA Welding Process

Push the welding mode selection button. For selecting the MMA welding mode. Stick electrode welding LED lights. Adjust the current via current adjustment knob. Below table can be used as a rough reference for mild steel electrodes. For exact parameters, please refer to the electrode manufacturer recommendations.



MAINTENANCE AND SERVICE

EN

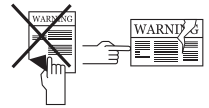
- Maintenance and repairs to the machine must be carried out by a qualified personnel. Our company will not be responsible for any accidents that may occur by unauthorized interventions.
- Parts that will be used during repair can be obtained from our authorized services. The use of original spare parts will extend the life of your machine and prevent performance losses.
- Always contact the manufacturer or an authorized service designated by the manufacturer.
- Never make interventions yourself. In this case the manufacturer warranty is no longer valid.
- Always comply with the applicable safety regulations during maintenance and repair.
- Before performing any work on the machine for repair, disconnect the machine's power plug from the power supply and wait for 10 seconds for the capacitors to discharge.

4.1 Maintenance



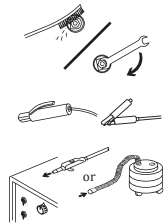
Daily Maintenance

- Check your torch, clamps and cables. Pay attention to the connections and the durability of the parts. Replace the damaged/defective parts with the new ones. Do not ever make additions to/repair the cables.
- Ensure adequate space for ventilation.
- The consumables on the TIG torch must be cleaned regularly. Should be replaced if necessary. It should be ensured that these materials are original products for a long-term use.
- Before starting welding, check the gas flow rate from the tip of the torch with a flow meter. If the gas flow is high or low, bring it to the appropriate level for the welding process.



Every 6 Months

- Do not remove the warning labels on the device. Replace the worn/torn labels with the new ones. Labels can be obtained from the authorized service.
- Clean and tighten fasteners such as bolts and nuts.
- Check the electrode clamp and grounding clamp cables.
- Open the side covers of the machine and clean with low pressure dry air. Do not apply compressed air to electronic components at close distance.
- Check the socket to which the power supply plug of the machine is connected. If there is any looseness in the power cable connection points of the socket, remove such looseness. If there is an arc or expansion in the socket slots, replace them with new ones.
- Check the power supply plug of the machine. If there is any looseness in the power cable connection points in the electricity plug, remove such looseness. If there is an arc or deformation at the ends of the plug, replace it with a new one.



NOTE: The above mentioned periods are the maximum ones that should be applied if no problems are encountered in your device. Depending on the work load and contamination of your work environment, you can repeat the above processes more frequently.



Never operate the machine when covers are open.

4.2 Troubleshooting

- If the Thermal Protection LED lights up while cooling fan is working and the machine doesn't weld; machine maybe overheated and stopped for auto protection due to overheat. Hot weather or working in high current values for long time may cause this. Let the machine on for a while in order to cool down itself with the cooling fan. After its cools enough, Thermal Protection LED fades away and the machine can weld.
- When the lamp of power switch is lighting, cooling fan is working but the machine does not weld; turn off the machine for 1 minute then turn it on again and try to weld. If it still doesn't weld, contact to your authorized technical service.

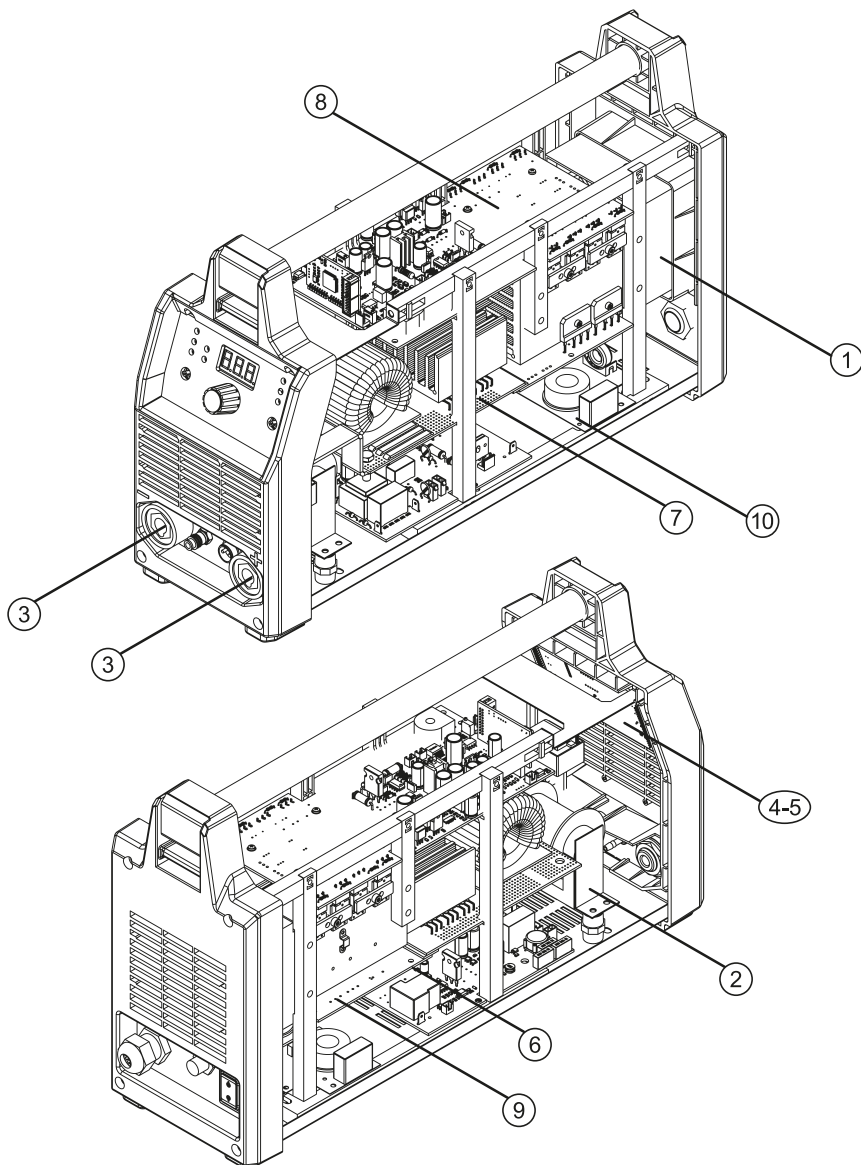
4.3 Error Codes

Error Code	Error	Cause	Solution
E01	Thermal Protection (Primary)	<ul style="list-style-type: none"> • The uptime of your machine may have been exceeded 	<ul style="list-style-type: none"> • Allow the machine to cool down by waiting for a while. If the fault disappears, try to use the machine at lower amperage values • If the problem continues, contact the authorized service
		<ul style="list-style-type: none"> • Fan may not be working 	<ul style="list-style-type: none"> • Check visually whether the fan is working or not • If the problem continues, contact the authorized service
		<ul style="list-style-type: none"> • The front of the air inlet-outlet ducts may be blocked 	<ul style="list-style-type: none"> • Open the front of the air ducts • If the problem continues, contact the authorized service
		<ul style="list-style-type: none"> • The machine working environment may be too hot or stuffy 	<ul style="list-style-type: none"> • Make sure that the working environment of the machine is not excessively hot or stuffy • If the problem continues, contact the authorized service
E02	Mains Voltage Low	<ul style="list-style-type: none"> • Mains voltage may have decreased 	<ul style="list-style-type: none"> • Check the mains connection cables and the voltage. Make sure the correct voltage input is provided. If the mains voltage is normal, contact the authorized service
E03	Mains Voltage High	<ul style="list-style-type: none"> • Mains voltage may have increased 	<ul style="list-style-type: none"> • Check the mains connection cables and the voltage. Make sure the correct voltage input is provided. If the mains voltage is normal, contact the authorized service



ANNEX

5.1 Spare Part List



5.1 Spare Part List

NO	DEFINITION	monoTIG 160i
1	Fan	A250200026
2	HF Choke	A366700008
	Hall Effect Sensor 300A	A834000001
3	Welding Socket	A377900104
4	Electronic Card E505A-1	K405000186
5	Electronic Card E505A-2	K405000187
6	Electronic Card E505A-3	K405000185
7	Electronic Card E203A PWR/200TIG	K405000176
8	Electronic Card M.TIG 200I E204A-GR	K405000191
9	Electronic Card E203A AC PWR	K405000226
10	Electronic Card E201B-FLT TIG/	K405000295

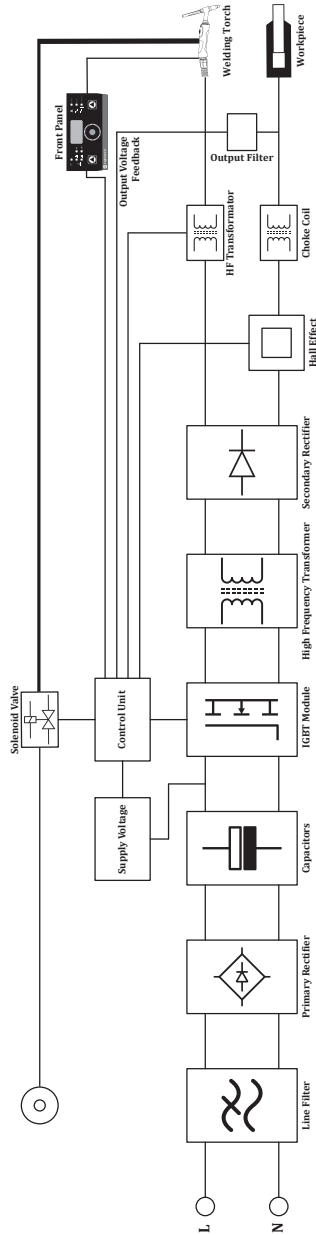
5.1 Spare Part List

EN

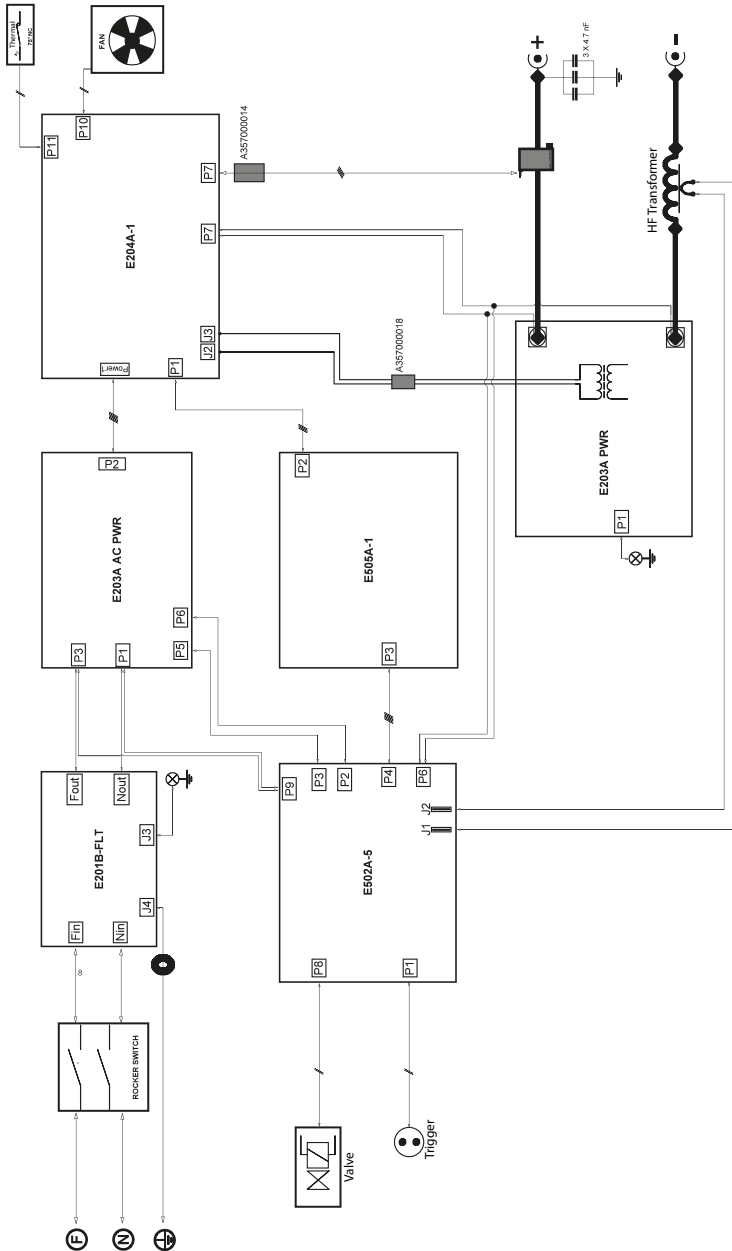
NO	DEFINITION	monoTIG 200i
1	Fan	A250200026
2	HF Choke	A366700008
	Hall Effect Sensor 300A	A834000001
3	Welding Socket	A377900104
4	Electronic Card E505A-1	K405000186
5	Electronic Card E505A-2	K405000187
6	Electronic Card E505A-3	K405000185
7	Electronic Card E203A PWR/200TIG	K405000176
8	Electronic Card M.TIG 200I E204A-GR	K405000191
9	Electronic Card E203A AC PWR	K405000226
10	Electronic Card E201B-FLT TIG/	K405000295

5.2 Connection Diagrams

Block Diagram



Circuit Diagram



PRODUCT INFORMATION**Model****Serial Number****MANUFACTURER****Name**

MAGMA MEKATRONİK MAKİNE SANAYİ VE TİCARET A.Ş.

Address

Organize Sanayi Bölgesi 5. Kısım MANİSA

Phone / E-mail

+90 236 226 27 00 / info@magmaweld.com

PURCHASE INFORMATION**Dealer Name****City / Country****Phone / E-mail****Purchase Date****CUSTOMER INFORMATION****Company Name****City / Country****Phone / E-mail****Contact Name****SERVICE INFORMATION (if applicable)****Company Name****Technician's Name****Commissioning Date**
(Warranty Start Date)

Please visit our web site www.magmaweld.com/warranty-terms/wt for warranty terms.

SOMMAIRE

	CONSIGNES DE SÉCURITÉ	32
1	SPÉCIFICATIONS TECHNIQUES	
1.1	Explications Générales	38
1.2	Composants	38
1.3	Étiquette du Produit	39
1.4	Caractéristiques Techniques	40
1.5	Accessories	40
2	INSTALLATION	
2.1	Considérations Relatives à la Réception du Poste de Soudage	41
2.2	Conseils d'Installation et de Fonctionnement	41
2.3	Connexions pour le soudage TIG	42
2.3.1	Connectez la machine au secteur et la mettez en marche	42
2.3.2	Connexions de Gaz	42
2.3.3	Préparation des connexions de la torche	43
2.3.4	Connexions de la torche	43
2.3.5	Connexions de la pince de mise à la terre	43
2.3.6	Remplacement de l'électrode de tungstène	44
2.4	Connexions pour le soudage à l'électrode enrobée	44
3	UTILISATION	
3.1	Interface Utilisateur	45
3.2	Courbe TIG	46
3.3	Structure du menu	46
3.3.1	Méthode de soudage TIG	46
3.3.2	Utilisation des modes de déclenchement du soudage TIG	47
3.3.3	Méthode de soudage à l'électrode enrobée	48
4	MAINTENANCE ET DÉFAILLANCES	
4.1	Maintenance	49
4.2	Dépannage	50
4.3	Codes d'incident	50
5	ANNEXE	
5.1	Listes des Pièces Détachées	51
5.2	Schémas de connexion	54

✓ CONSIGNES DE SÉCURITÉ

Respectez toutes les consignes de sécurité du manuel!

Informations sur la Sécurité



- Les pictogrammes de sécurité utilisés dans le présent manuel sont destinés à identifier les dangers potentiels.
- Si un pictogramme de sécurité apparaît dans le présent manuel, cela signifie qu'il existe un risque de blessure et que les dangers éventuels doivent être écartés en lisant attentivement les explications fournies.
- Le propriétaire de la machine est responsable d'empêcher les personnes non autorisées d'accéder à l'équipement.
- Toute personne appelée à travailler avec cette machine doit posséder l'expérience en soudage / coupage ou avoir terminé avec succès la formation requise, lire le présent manuel d'utilisation avant de travailler et se conformer à tout moment aux consignes de sécurité.

Pictogrammes de Sécurité



ATTENTION

Indique une situation potentiellement dangereuse qui pourrait causer des blessures ou des dommages. Le fait de ne pas prendre de précautions peut causer des blessures ou des pertes ou dommages matériels.



REMARQUE

Indique des informations et des avertissements concernant l'utilisation de la machine.



DANGER

Indique une situation imminente dangereuse qui, si elle n'est pas évitée, entraînera une blessure grave ou mortelle.

Prise de connaissance des consignes de sécurité



- Veuillez lire attentivement le présent manuel d'utilisation, les étiquettes et les consignes de sécurité se trouvant sur la machine.
- Assurez-vous que les étiquettes d'avertissement sur la machine sont en bon état. Remplacez les étiquettes manquantes ou endommagées.
- Veuillez prendre connaissance des informations concernant l'utilisation et les procédés de vérification de votre machine.
- Utilisez votre machine dans des environnements de travail appropriés.
- Des modifications inappropriées à votre machine peuvent avoir un impact négatif sur la sécurité de fonctionnement et la durée de vie de votre machine.
- Le fabricant ne pourra pas être tenu responsable des conséquences du fonctionnement de l'appareil en dehors des conditions préconisées.

L'électrisation peut entraîner la mort



Veuillez à ce que les procédures d'installation soient conformes aux normes nationales en matière d'électricité et aux autres règlements pertinents. L'installation de la machine doit être effectuée par des personnes autorisées.

- Porter un tablier de travail et des gants de protection secs offrant une bonne isolation. Ne jamais utiliser des gants et des tabliers de travail mouillés ou endommagés.
- Porter des vêtements de protection ignifuges contre le risque de brûlure. Les vêtements utilisés par l'opérateur doivent être protégés contre les étincelles, les projections et le rayonnement d'arc.
- Ne travaillez pas seul. Soyez sûr d'avoir quelqu'un qui peut vous aider en cas de danger dans votre lieu de travail.
- Ne touchez pas l'électrode avec la main nue. Ne laissez pas être en contact la pince d'électrode ou l'électrode avec quelqu'un ou avec un objet alimentaire.
- Ne touchez aucun composant électrique.
- Ne touchez pas l'électrode si vous êtes en contact avec l'électrode reliée à la surface de travail, au plancher ou à une autre machine.
- Vous pouvez vous protéger d'une électrisation potentielle en vous isolant de la surface de travail et du sol. Utilisez un matériau isolant non inflammable, électriquement isolant, sec et non endommagé, suffisamment grand pour couper le contact de l'opérateur avec la surface de travail.
- Ne connectez pas plus d'une électrode au porte-électrode.
- Placez bien la pince de masse métal-sur-métal sur votre objet de travail ou sur la table à souder.

- Vérifiez la torche avant d'utiliser la machine. Assurez-vous que la torche et ses câbles sont en bon état. Assurez-vous de remplacer une torche endommagée ou usée.
- Ne pas laisser toucher les deux pinces de masse connectés à deux différents postes. Ceci est dangereux vu qu'il y aura deux tensions en circuit ouvert.
- Gardez le poste éteint et déconnecter les câbles de soudage quand vous vous ne travaillez pas.
- Avant de réparer la machine, retirez toutes les connexions d'alimentation et / ou les connecteurs ou éteignez la machine.
- Soyez prudent lorsque vous utilisez un long câble secteur.
- Soyez sûr que toutes les connexions sont bien serrées, propres et seches.
- Soyez sûr que les câbles sont secs, sans graisses et protégés du métal chaud et des étincelles.
- Fil dénudé peut tuer. Contrôler fréquemment vos câbles de soudage. S'il y a des câbles endommagés ou non isolés, réparer ou échanger immédiatement les câbles.
- Isoler le câble de masse quand il n'est pas connecté à un objet de travail.
- Assurez-vous que la mise à la terre de la ligne d'alimentation est correctement connectée.
- N'utilisez pas le courant alternatif (AC) dans des endroits humides, mouillés ou confinés. Eviter également les endroits où il y aura un risque de chute.
- Le courant alternatif doit être utilisé uniquement s'il est nécessaire pour le procès de soudage.
- Si le courant alternatif est obligatoire pour votre travail, utilisez (si existe) votre télécommande pour régler votre poste.

Les précautions additionnelles sont nécessaires si une des conditions hasardeuses ci-dessous existe :

- Dans des endroits humides ou si vos habilles sont mouillés,
- Sur les structures métalliques comme les escaliers, les grilles ou les échafauds,
- Dans des positions comme assises, à genoux ou allongées,
- Quand il ya un grand risque d'accident ou d'un contact inévitable avec l'objet de travail ou la masse.

Pour les conditions mentionnées ci-dessus, utilisez les équipements ci-dessous dans l'ordre de présentation :

- Un poste MIG semi-automatique en courant continu (DC),
- Un poste à souder MMA en courant continu (DC),
- Un poste en courant continue ou alternatif avec la tension réduit à circuit ouvert (VRD).

Procédures à suivre en cas de l'électrocution



- Arrêtez le courant électrique.
- Utilisez des matériaux non conductibles comme le bois sec pour couper le contact de la victime avec les câbles ou les endroits alimentés.
- Appelez les services de secours.

Si vous avez suivi une formation aux premiers secours ;

- Si la victime ne respire plus, après avoir coupé le contact de la victime avec le courant, effectuez immédiatement la réanimation cardiorespiratoire (RCP). Continuez la RCP jusqu'au moment où la victime respire de nouveau ou les secours arrivent,
- Utilisez un défibrillateur automatique (DEA) selon les instructions indiquées dessus.
- Traiter une brûlure électrique comme une brûlure thermique. Appliquez des compresses stériles et froides.

Les pièces mobiles peuvent causer des blessures



- Éloignez-vous des objets en mouvement.
- Gardez tous les capots de protection tels que les portes, les panneaux, les portes des machines et des appareils fermés et verrouillés.
- Portez des chaussures à coque métallique à protection contre le risque de chute d'objets lourds.

La fumée et les gaz peuvent être nocifs pour votre santé



L'inhalation prolongée de la fumée et du gaz générés par le soudage / coupage et le découpage est très nocive pour la santé.

- La sensation de brûlure et l'irritation au niveau des yeux, des muqueuses nasales et des voies respiratoires sont des symptômes d'une ventilation inadéquate. Dans ce cas, veuillez augmenter immédiatement le niveau de ventilation de la zone de travail et arrêter le processus de soudage / coupage si le problème persiste.
- Créez un système d'aération naturelle ou artificielle dans la zone de travail.
- Utilisez un système d'absorption de fumée approprié à l'endroit où le soudage / coupage et le découpage sont effectués. Si nécessaire, installez un système adéquat pour éliminer les fumées et les gaz accumulés dans l'ensemble de l'atelier. Utilisez un système de filtration approprié pour éviter de polluer l'environnement lors du rejet.
- Si vous travaillez dans des espaces étroits ou confinés, ou que vous soudez du plomb, du béryllium, du cadmium, du zinc, des matériaux revêtus ou peints, utilisez une protection respiratoire autonome en plus des précautions susmentionnées.

- Si les bouteilles de gaz sont groupées dans une zone séparée, assurez-y une bonne ventilation, gardez les soupapes principales fermées lorsque les bouteilles de gaz ne sont pas utilisées, et surveillez les fuites de gaz éventuelles.
- Les gaz protecteurs tels que l'argon étant plus denses que l'air, ils peuvent être inhalés à la place de l'air s'ils sont utilisés à l'intérieur. Cela présente également un risque pour votre santé.
- Ne soudage / coupage pas dans des environnements contenant des vapeurs d'hydrocarbures chlorés libérées lors de la lubrification ou de la coloration.
- Certaines pièces soudées / coupées nécessitent une ventilation spéciale. Aération spéciale Les règles de sécurité des produits qui le nécessitent doivent être lues attentivement. Le masque à gaz doit être porté Dans de tels cas, un masque à gaz approprié doit être porté.

La lumière émise par l'arc peut endommager vos yeux et votre peau



- Pour protéger vos yeux et votre visage, utilisez un masque et un écran de protection en verre appropriés (4 à 13 selon la norme EN 379).
- Protégez les autres parties nues de votre corps (bras, cou, oreilles, etc.) contre ces rayons à l'aide des vêtements de protection adéquats.
- Munissez votre plan de travail d'écrans anti-flammes au niveau des yeux et accrochez des panneaux d'avertissement afin que les gens autour de vous ne soient pas exposés aux rayons de l'arc et métaux chauds.
- Cette machine n'est pas destinée à chauffer des tuyaux gelés. Ce procédé provoquera une explosion, un incendie ou des dommages à votre installation.

Les étincelles et les protections de pièces peuvent blesser vos yeux



- Les procédés tels que le soudage / coupage, le meulage, le brossage de la surface peuvent générer des étincelles et des projections de particules métalliques. Portez des lunettes de protection homologuées munies de bordures de protection sous le masque de soudeur afin de prévenir les blessures éventuelles.

Les surfaces chaudes peuvent causer de brûlures graves



- Ne touchez pas les pièces chaudes à mains nues.
- Avant d'intervenir sur les pièces de la machine, attendez un certain temps pour les laisser refroidir.
- Si vous devez manipuler les pièces chaudes, portez des outils appropriés, gants de soudage / coupage à isolation thermique et vêtements résistant au feu.

Le bruit peut altérer votre capacité d'ouïe



- Le bruit créé par certains équipements et processus peut altérer l'ouïe.
- Si le niveau de bruit est élevé, portez des protège-oreilles agréés.

Le fil de soudage peut causer des blessures



- Ne maintenez pas la torche contre une partie du corps, d'autres personnes ou tout autre métal lors du dévidage du fil de soudage.
- Lors de l'ouverture manuelle du fil de soudage à partir de la bobine - en particulier pour les diamètres minces - le fil peut être éjecté de votre main comme un ressort, ce qui pourrait vous blesser ou blesser des tiers, protégez particulièrement vos yeux et votre visage lors de cette manipulation.

Le procédé de soudage / coupage peut entraîner des incendies et des explosions



- Ne jamais souder à proximité de matériaux inflammables. Un incendie ou des explosions peuvent se produire.
- Enlevez ces matériaux de l'environnement avant de commencer à soudage / coupage ou couvrez-les avec des couvertures protectrices pour éviter les brûlures.
- Les règles nationales et internationales spécifiques s'appliquent dans ces domaines.

- Ne procédez à aucune opération de soudage / coupage e ni de découpage sur des tubes ou des tuyaux entièrement fermés.
- Avant de soudage / coupage des tubes et des conteneurs fermés, ouvrez-les, videz-les complètement, ventilez-les et nettoyez-les. Prenez toutes les précautions nécessaires lors d'un soudage / coupage dans ces types d'endroits.
- Ne soudez pas les tubes ou les tuyaux destinés aux substances susceptibles de provoquer une explosion, un incendie ou d'autres réactions, même s'ils sont vides.
- L'équipement de soudage / coupage chauffe. Par conséquent, ne le placez pas sur des surfaces qui peuvent facilement être brûlées ou endommagées !

- Les étincelles générées lors du soudage peuvent provoquer un incendie. Par conséquent, gardez un extincteur, de l'eau, du sable et autres matériaux à portée de la main.
- Utilisez des clapets anti-retour, régulateurs de gaz et vannes sur les circuits de gaz inflammables, explosifs et pressurisés. Assurez-vous de leurs vérifications périodiques soient effectuées et qu'elles fonctionnent correctement.

La maintenance des machines et appareils par des personnes non autorisées peut causer des blessures



- Les équipements électriques ne doivent pas être réparés par des personnes non autorisées. Les erreurs éventuelles peuvent entraîner des blessures graves, voire mortelles, lors de l'utilisation.
- Les éléments du circuit de gaz fonctionnent sous pression; l'intervention de personnes non autorisées peut causer des explosions et des blessures graves pour les utilisateurs.
- Il est recommandé d'effectuer la maintenance technique de la machine et de ses unités auxiliaires au moins une fois par an.

Soudage / Coupage dans des endroits confinés



- Effectuez les opérations de soudage / coupage et de découpage dans des espaces confinés et de petits volumes et en compagnie d'une autre personne.
- Évitez autant que possible le soudage / coupage et le découpage dans des endroits fermés.

Le fait de ne pas prendre les précautions nécessaires lors du transport peut causer des accidents



- Prenez toutes les précautions nécessaires pour le transport de la machine. Les zones à transporter; les équipements à utiliser pour le transport et les conditions physiques et la santé de la personne chargée de la manutention doivent être conformes au processus de transport.
- Certaines machines étant extrêmement lourdes, il est important de veiller à ce que les précautions nécessaires en matière de sécurité environnementale soient prises pour la manutention.
- Si la machine de soudage doit être utilisée sur une plateforme, la capacité de charge de la plateforme doit être vérifiée.
- En cas d'utilisation d'un véhicule (chariot, chariot élévateur à fourche, etc.) lors du transport de la machine, assurez-vous que le véhicule et les accessoires d'élingage et d'arrimage (élingues, sangles d'arrimage, boulons, écrous, roues, etc.) reliant la machine au véhicule sont intacts.
- S'il s'agit d'un transport manuel, assurez-vous que les accessoires d'élingage et d'arrimage (élingues, sangles d'arrimage, etc.) et leurs connexions soient bien fixées.
- Afin de garantir les conditions de transport nécessaires, consultez les règles de l'Organisation Internationale du Travail sur le poids du transport et les réglementations en vigueur dans votre pays.
- Utilisez toujours des poignées ou des anneaux pour le déplacement du bloc d'alimentation. Ne tirez jamais sur les torches, les câbles ou les tuyaux. Transportez toujours les bouteilles de gaz séparément.
- Avant de transporter le matériel de soudage / coupage et de découpe, débranchez toutes les connexions intermédiaires, puis soulevez et transportez les petites pièces séparément en les tenant par leurs poignées, et les grandes à l'aide d'un équipement de manutention approprié tel que des anneaux de transport ou des chariots élévateurs.

La chute de pièces peut causer des blessures



Ne pas positionner correctement l'alimentation électrique ou tout autre équipement peut causer des blessures graves et des dommages matériels.

- Installer votre machine sur des sols et des plateformes avec une inclinaison maximale de 10° pour éviter les chutes et les renversements. Préférez les zones immobiles, mais vastes, facilement ventilées et sans poussière, qui ne génèrent pas le flux de matériaux. Disposez les câbles et tuyaux de telle manière que personne ne puisse les piétiner ou trébucher dessus. Pour éviter que les bouteilles de gaz ne se renversent, fixez-les sur la plate-forme pour les machines équipées d'une plate-forme à gaz adaptée à la bouteille et sur le mur à l'aide d'une chaîne pour les installations fixes afin d'éviter tout basculement.
- Les opérateurs doivent facilement et rapidement accéder aux paramètres de commande et connexions de la machine.

Une utilisation excessive provoque la surchauffe de la machine"



- Laissez la machine refroidir en fonction des cycles de fonctionnement.
- Réduisez le courant ou le taux de cycle de fonctionnement avant de recommencer le soudage.
- Ne bloquez pas les entrées de ventilation de la machine.
- Ne placez pas de filtre sur les entrées de ventilation de la machine sans l'approbation du fabricant.

Le soudage à l'arc peut causer des interférences électromagnétiques



Cet appareil n'est pas conforme à la norme CEI 61000-312. Si vous souhaitez vous connecter au réseau basse tension utilisé dans les maisons, l'installateur ou la personne qui utilisera la machine doit être familiarisé avec la connexion de la machine, dans ce cas la responsabilité appartient à l'opérateur.

- Assurez-vous que la zone d'exploitation soit conforme à la compatibilité électromagnétique (CEM). Les interférences électromagnétiques qui peuvent se produire lors du soudage / coupage ou du découpage peuvent causer des effets indésirables sur vos appareils électroniques et votre secteur. Les effets qui peuvent se produire au cours du processus sont sous la responsabilité de l'opérateur.
- Si des interférences se produisent, des mesures supplémentaires peuvent être prises pour assurer la conformité, telles que l'utilisation de câbles courts, l'utilisation de câbles blindés, le transport de la machine à souder vers un autre endroit, l'enlèvement des câbles du dispositif et/ou de la zone affectée, l'utilisation de filtres, ou la protection CEM de la zone de travail.
- Effectuez les opérations de soudage / coupage le plus loin possible (100 m) de vos appareils électroniques sensibles pour prévenir les dommages CEM potentiels.
- Assurez-vous que votre machine de soudage et de découpe est installée et placée conformément aux consignes d'utilisation.

Évaluation de la compatibilité électromagnétique du champ de fonctionnement



Conformément à l'article 5.2 de CEI 60974-9 ;

Avant d'installer la machine de soudage / coupage et de découpe, le responsable du site et / ou l'opérateur doit vérifier les interférences électromagnétiques éventuelles dans l'environnement. Les conditions suivantes sont à considérer ;

- Autres câbles d'alimentation, câbles de commande, câbles de signalisation et câbles téléphoniques au-dessus, au-dessous et à côté de la machine et du matériel de soudage / coupage,
- Émetteurs et récepteurs de radio et de télévision,
- Matériel informatique et autre matériel de contrôle,
- Équipements de sécurité critiques, par exemple protection de l'équipement industriel,
- Appareils médicaux des personnes à proximité, tels que stimulateurs cardiaques et appareils auditifs,
- Équipement utilisé pour la mesure ou l'étalonnage,
- Immunité des autres équipements dans l'environnement. L'opérateur doit s'assurer que tout autre matériel utilisé dans l'environnement soit compatible. Cela peut nécessiter des mesures de protection supplémentaires,
- Les limites de la zone d'inspection peuvent se varier en fonction du temps pendant lequel le procédé de soudage / coupage ou d'autres activités seront effectués pendant la journée, de la taille de l'environnement, de la structure du bâtiment et d'autres activités.

En plus de l'évaluation des conditions de la zone, l'évaluation de l'installation des appareils peut également être nécessaire pour résoudre l'effet perturbateur. Si nécessaire, des mesures sur site peuvent également être prises pour confirmer l'efficacité des mesures d'atténuation.

(Source: CEI 60974-9)

Moyens pour réduire les interférences



- La machine doit être branchée à un réseau électrique tel que recommandé et par une personne autorisée. En cas d'interférence, des mesures supplémentaires telles que le filtrage du réseau peuvent être mises en place. L'alimentation d'équipement de soudage à l'arc fixe doit être effectuée à partir du tube métallique ou un câble blindé équivalent. Une connexion et un bon contact électrique doivent être assurés entre le blindage et le boîtier de l'alimentation.
- L'entretien de routine recommandé pour la machine doit être effectué. Lors de l'utilisation de la machine, tous les capots de protection doivent être fermés et / ou consignés. Aucun changement ni modification autre que les réglages standards ne doivent être effectués sur la machine sans l'approbation écrite du fabricant. Sinon, l'opérateur sera responsable de toutes les conséquences.
- Les câbles de soudage / coupage doivent être aussi courts que possible. Le cheminement des câbles sur le sol de la zone de travail doit être parallèle. Les câbles de soudage ne doivent en aucun cas être enroulés autour du corps.
- Un champ magnétique se forme dans la machine lors du soudage / coupage. Cela peut amener la machine à tirer les pièces métalliques sur elle-même. Afin d'éviter ce phénomène, assurez-vous que les matériaux métalliques soient à une distance de sécurité et sécurisés. L'opérateur doit être isolé de tous ces matériaux métalliques interconnectés.

- Toutefois, dans certains pays où la connexion directe n'est pas autorisée, la connexion peut être établie à l'aide d'éléments de capacité appropriés, conformément aux réglementations locales en vigueur. Le blindage et la protection d'autres périphériques et câbles dans la zone de travail peuvent prévenir les effets perturbateurs. Le cas échéant, la connexion entre la pièce à usiner et la terre peut être réalisée sous forme de connexion directe. Toutefois, dans certains pays où la connexion directe n'est pas autorisée, la connexion peut être établie à l'aide d'éléments de capacité appropriés, conformément aux réglementations locales en vigueur.
- Le blindage et la protection d'autres périphériques et câbles dans la zone de travail peuvent prévenir des effets perturbateurs. Le blindage de toute la zone de soudage / coupage peut être évalué pour certaines applications spécifiques.

Magnétique électromagnétique (CEM)



Le courant électrique passant par n'importe quel conducteur crée des champs électriques et magnétiques régionaux (CEM). Les opérateurs doivent suivre les procédures suivantes afin de minimiser les risques engendrés par l'exposition aux CEM du circuit de soudage :

- Afin de réduire le champ magnétique, les câbles de soudage / coupage doivent être rassemblés et fixés autant que possible avec des équipements de fixation (ruban, serre-câbles, etc.).
- Le corps et la tête de l'opérateur doivent être tenus aussi loin que possible de la machine à soudage / coupage et des câbles.
- Les câbles électriques et de soudage / coupage ne doivent jamais être enroulés autour du corps du poste à souder.
- Le corps ne doit pas rester entre les fils de soudage / coupage. Les câbles de soudage doivent être tenus à l'écart du qq corps, côte à côte.
- Le câble de retour doit être connecté à la pièce à usiner aussi près que possible de la zone soudage / coupage.
- Ne vous appuyez pas sur le groupe électrogène de soudage, ne vous asseyez pas dessus et ne travaillez pas trop près.
- Le soudage / coupage ne doit pas être effectué pendant le transport de l'unité d'alimentation en fil de soudage / coupage ou du bloc d'alimentation en courant de soudage.

Les CEM peuvent également perturber le fonctionnement des implants médicaux (substance placée à l'intérieur du corps), tels que les stimulateurs cardiaques. Des mesures de protection doivent être prises pour les personnes portant des implants médicaux. Par exemple, l'accès dans la zone du travail pourraient être restreint pour les passants, ou des évaluations individuelles des risques pourraient être effectuées pour les soudeurs. Une évaluation des risques doit être effectuée par un spécialiste médical pour les utilisateurs d'implants médicaux.

Protection



- N'exposez pas la machine à la pluie, empêchez les éclaboussures d'eau ou de la vapeur pressurisée d'y pénétrer.

Efficacité Énergétique



- Choisissez la méthode et la machine de soudage / coupage appropriées pour votre soudage.
- Sélectionnez le courant et/ou la tension de soudage / coupage en fonction du matériau et de l'épaisseur auxquels vous soudez.
- Si vous devez attendre longtemps pour le soudage / coupage, éteignez la machine une fois que le ventilateur l'a refroidie. Nos machines (produits) munies d'un système de ventilateur intelligent s'arrêteront automatiquement.

Procédure relative aux déchets



- Cet appareil n'est pas un déchet ménager. Elle doit être déposée dans un centre de recyclage agréé dans le cadre de la directive de l'Union Européenne et du droit national.
- Renseignez-vous auprès de votre revendeur et des personnes autorisées sur la gestion des déchets de votre machine usagée.

FORMULAIRE DE GARANTIE



Pour le formulaire de garantie, visitez notre site web www.magmaweld.fr/formulaire-de-garantie/wr.

SPÉCIFICATIONS TECHNIQUES

1.1 Explications Générales

MonoTIG 160i et monoTIG 200i sont des postes à souder de type onduleur, faciles à transporter, monophasés, DC TIG et Machine de soudage à l'électrode enrobée/MMA. Il est conçu pour le soudage TIG d'autres métaux sauf l'aluminium et le soudage à l'électrode enrobée/soudage MMA jusqu'à 4 mm de diamètre. Les paramètres de courant, d'heure et de programme sont surveillés sur des affichages numériques. Comme monoTIG 160i et monoTIG 200i peuvent fonctionner à une tension secteur de 50/60 Hz de 160 V à 240 V, ils ne sont pas affectés par les fluctuations de la tension secteur, ils fonctionnent donc parfaitement avec des groupes électrogènes. monoTIG 160i et monoTIG 200i peuvent également être utilisés avec des câbles de soudage jusqu'à 25 mètres de long. La machine est refroidie par ventilateur et protégée thermiquement contre la surchauffe.

1.2 Composants

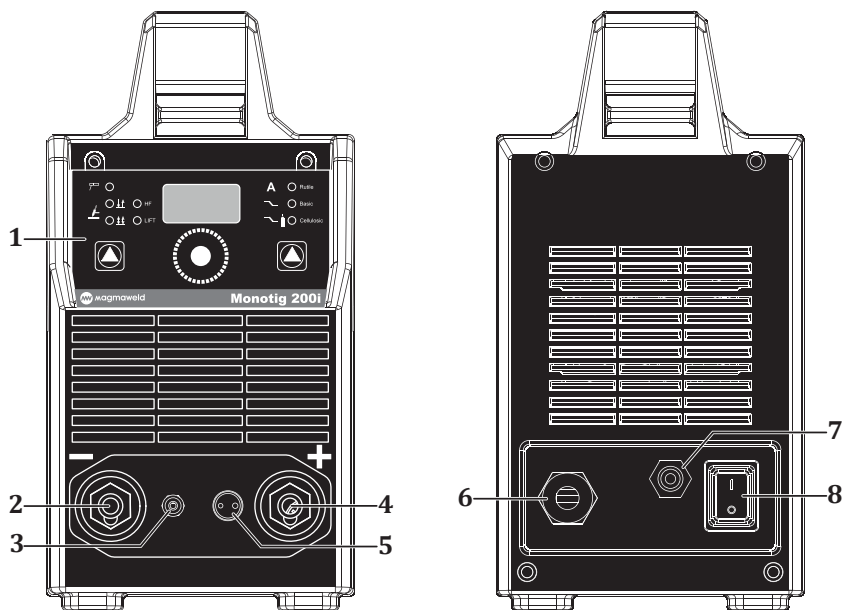


Figure 1 : Vue avant et arrière

- | | |
|--|-------------------------------------|
| 1- Pupitre de commande | 5- Prise de commande de la gâchette |
| 2- Prise de câble de soudage et de masse (-) | 6- Entrée du câble d'alimentation |
| 3- Sortie de gaz | 7- Entrée de gaz |
| 4- Prise de câble de soudage et de masse (+) | 8- Bouton marche/arrêt |

1.3 Étiquette du Produit

MAGMA MEKATRONİK MAKİNE SAN. VE TİC. A.Ş. Organize Sanayi Bölgesi 5.Kısım Manisa-TÜRKİYE	
MONOTIG 160i	S/N:
	EN 60974-1/-10 Cl. A

		5A / 10.2V - 160A / 16.4V			
		$X^{(40^{\circ}\text{C})}$	30%	60%	100%
	$U_0=65\text{V}$	I_2	160A	113A	88A
		U_2	16.4V	14.5V	13.5V

	$U_1=230\text{V}$	$I_{1\text{max}}=21.8\text{A}$	$I_{1\text{eff}}=12\text{A}$
--	-------------------	--------------------------------	------------------------------

		5A / 20.2V - 160A / 26.4V			
		$X^{(40^{\circ}\text{C})}$	20%	60%	100%
	$U_0=65\text{V}$	I_2	160A	92A	72A
		U_2	26.4V	23.7V	22.9V

	$U_1=230\text{V}$	$I_{1\text{max}}=32.2\text{A}$	$I_{1\text{eff}}=14.5\text{A}$
--	-------------------	--------------------------------	--------------------------------

IP23	CE	EAC	UK CA
-------------	-----------	------------	--------------

Transformateur Redresseur Monophasé

Soudage TIG

Soudage MMA

Courant Continu

Caractéristique Verticale

Entrée Secteur - Courant Alternatif Monophasé

Compatible Pour Travailler dans des Environnements Dangereux

MAGMA MEKATRONİK MAKİNE SAN. VE TİC. A.Ş. Organize Sanayi Bölgesi 5.Kısım Manisa-TÜRKİYE	
MONOTIG 200i	S/N:
	EN 60974-1/-10 Cl. A

		5A / 10.2V - 200A / 18V			
		$X^{(40^{\circ}\text{C})}$	25%	60%	100%
	$U_0=65\text{V}$	I_2	200A	129A	100A
		U_2	18V	15.2V	14V

	$U_1=230\text{V}$	$I_{1\text{max}}=29.1\text{A}$	$I_{1\text{eff}}=14.6\text{A}$
--	-------------------	--------------------------------	--------------------------------

		5A / 20.2V - 200A / 28V			
		$X^{(40^{\circ}\text{C})}$	14%	60%	100%
	$U_0=65\text{V}$	I_2	200A	97A	75A
		U_2	28V	23.9V	23V

	$U_1=230\text{V}$	$I_{1\text{max}}=41.5\text{A}$	$I_{1\text{eff}}=15.6\text{A}$
--	-------------------	--------------------------------	--------------------------------

IP23	CE	EAC	UK CA
-------------	-----------	------------	--------------

X Cycle de Fonctionnement

U₀ Tension de Fonctionnement à Vide

U₁ Tension et Fréquence du Secteur

U₂ Tension Nominale de Soudage

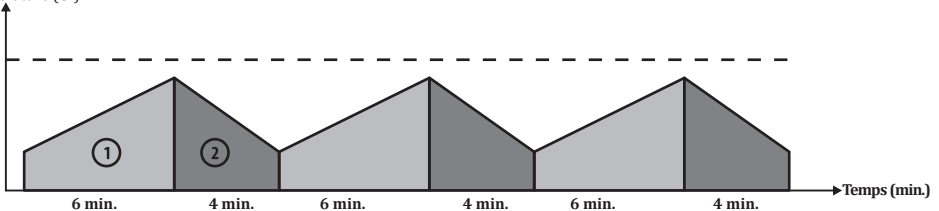
I₁ Courant d'entrée Assigné

I₂ Courant d'entrée Nominal

S₁ Tension d'entrée Assignée

IP23S Classe de Protection

Cycle de Fonctionnement
Température (C°)



Le taux de cycle de fonctionnement comprend une période de 10 minutes, telle que définie dans l'EN 60974-1. Par exemple, si vous souhaitez travailler à 250 A sur un poste spécifié à 250 A à 60%, le poste peut souder / couper sans arrêt (zone 1) pendant les 6 premières minutes de la période de 10 minutes. Cependant, le poste doit rester inactive pendant les 4 minutes suivantes pour se refroidir.

1.4 Caractéristiques Techniques

SPÉCIFICATIONS TECHNIQUES	UNITÉ	monoTIG 160i	monoTIG 200i
Alimentation Monophasé 50/60 Hz	V	230	230
Tension d'entrée assignée électrode enrobée	kVA	7.41 (%30)	9.55 (%25)
Puissance d'entrée Assigné pour Soudage TIG	kVA	5.01 (%30)	6.69 (%25)
Zone d'ajustement de courant de soudage	ADC	5 - 160	5 - 200
Courant d'entrée nominal pour soudage TIG	ADC	160 (%30)	200 (%25)
Tension de circuit ouvert	VDC	65	65
Gamme de diamètres d'électrodes de soudage	mm	1.60 - 3.25	2.00 - 4.00
Gamme de diamètre d'électrode en tungstène	mm	1.20 - 2.40	1.00 - 2.40
Dimensions (Alimentation) (LxLxH)	mm	520 x 160 x 312	520 x 160 x 312
Poids	kg	9.5	10
Classe de protection		IP 23S	IP 23S

1.5 Accessoires

ACCESSOIRES STANDARDS	QUANTITÉ	monoTIG 160i	monoTIG 200i
Pince et câble de pièce à usiner	1	7905212503 (25 mm ² - 3 m)	7905212503 (25 mm ² - 3 m)
Tuyau de Gaz	1	7907000002	7907000002
Torche	1	7110018004	7110018004
ACCESSOIRES EN OPTION	QUANTITÉ	monoTIG 160i	monoTIG 200i
Pince et Câble de Masse	1	7906201603	7910005200
Unité de Refroidissement par Eau (CSP 40)	1	7910005200	7020001004
Régulateur de Gaz	1	7020001004	7110018004
Lava TIG 26 (8 m) Torche TIG Refroidie par Air	1	7110018008	7110018008
Lava TIG 18W (4 m) Torche TIG Refroidie par EAU	1	7110038004	7110038004
Lava TIG 18W (8 m) Torche TIG Refroidie par EAU	1	7110038008	7110038008
TIG Kit d'accessoires Refroidis à l'air (Torche + Régulateur)	1	7910000510	7910000510
TIG Kit d'accessoires Refroidis à eau (Torche + Régulateur)	1	7910000530	7910000530
Pédale (Marche/Arrêt)	1	7910000130	7910000130
Chariot de Transport	1	7910000100	7910000100

INSTALLATION

2.1 Considérations Relatives à la Réception du Poste de Soudage

Assurez-vous que tous les composants que vous avez commandés soient livrés. Si un matériel quelconque est manquant ou endommagé, contactez immédiatement votre revendeur.

La boîte standard comprend les éléments suivants;

- Poste principale et câble secteur connecté
- Certificat de garantie
- Pince et Câble de Masse
- Manuel d'Utilisation

En cas de réception de la marchandise endommagée, prenez les photos des dégâts constatés et signalez-les au transporteur avec une copie du bon de livraison. Si le problème persiste, contactez le service client.

Symboles se trouvant sur le poste de soudage et leur signification



Le procédé de soudage est dangereux. Les conditions de travail appropriées doivent être fournies et les précautions nécessaires doivent être prises. Les experts sont responsables de la machine et doivent fournir le matériel nécessaire. Les personnes non concernées doivent être tenues à l'écart de la zone de soudage.



Ce poste de soudage n'est pas conforme à la norme CEI 61000-3-12. Si vous souhaitez vous connecter au réseau basse tension utilisé dans les résidences, l'installateur ou la personne qui utilisera la machine doit être familiarisé avec la connexion de la machine, dans ce cas la responsabilité appartient à l'opérateur.



Il faut respecter les symboles de sécurité et les avertissements qui se trouvent sur le poste et dans le manuel d'utilisation et ne pas retirer les étiquettes.



Les grilles sont destinées à la ventilation. Les ouvertures ne doivent pas être recouvertes afin d'assurer un bon refroidissement et aucun corps étranger ne doit être y introduit.

2.2 Conseils d'Installation et de Fonctionnement

- Des anneaux de levage ou des chariots élévateurs doivent être utilisés pour déplacer la machine. Ne soulevez pas la machine avec la bouteille de gaz. Lorsque vous transportez manuellement des machines à souder portatives, des mesures doivent être prises conformément aux réglementations en matière de santé et de sécurité au travail. Les dispositions nécessaires doivent être prises sur le lieu de travail pour garantir que le processus de transport s'effectue dans le plus grand respect des conditions de santé et de sécurité. Des précautions doivent être prises en fonction des caractéristiques de l'environnement de travail et des exigences du travail. Placez la machine sur une surface dure, plane et lisse où elle ne risque pas de tomber ou de se renverser.
- Lorsque la température ambiante dépasse 40 °C, faites fonctionner la machine à un courant plus faible ou à un cycle de fonctionnement plus faible.
- Évitez de souder à l'extérieur lorsqu'il y a du vent et de la pluie. Si le soudage est nécessaire dans de tels cas, protégez la zone de soudage et la poste de soudage avec des rideaux et des auvents. Si vous soudez à l'intérieur, utilisez un système approprié d'absorption de fumée. Utilisez un appareil respiratoire s'il y a un risque d'inhalation de fumée et de gaz à l'intérieur.
- Respectez les taux de cycle de fonctionnement spécifiés sur l'étiquette du produit. Dépasser régulièrement le nombre de cycle approprié peut endommager la poste et annuler la garantie.
- Utilisez un fusible approprié pour votre système.
- Connectez le fil de masse aussi près que possible de la zone de soudage.
- Ne laissez pas le courant de soudage traverser des éléments autres que les câbles de soudage, tels que la poste elle-même, la bouteille de gaz, la chaîne et le roulement.
- Fixez la bouteille de gaz au mur avec une chaîne.
- Si vous ne placez pas la bouteille de gaz sur la poste, fixez-la au mur à l'aide de la chaîne.

2.3 Connexions pour le soudage TIG

2.3.1 Connectez la machine au secteur et la mettez en marche



Avant de raccorder la machine au réseau, vérifiez que la tension du réseau est correcte.

- Mettez l'interrupteur marche/arrêt en position "0" et branchez la machine sur le secteur.
- Mettre la machine en marche à l'aide de l'interrupteur marche/arrêt. Détectez que le bouton marche/arrêt, les voyants et les voyants du panneau de commande sont allumés et que le ventilateur de refroidissement fonctionne, et assurez-vous d'entendre le bruit du ventilateur de refroidissement.

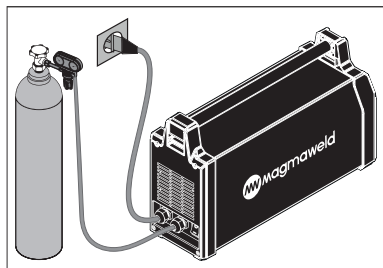
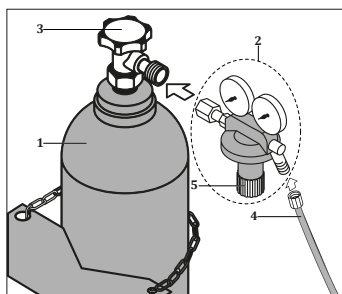


Figure 2 : Raccordements au gaz et au réseau

2.3.2 Connexions de Gaz

- Fixez le cordon de gaz argon à l'aide d'une chaîne. Utilisez un régulateur conforme aux normes pour travailler en toute sécurité et obtenir des résultats optimaux.
- Laissez la valve de la bouteille de gaz ouverte pendant un moment, de manière à évacuer les éventuels sédiments et particules.
- Connectez le régulateur de gaz à la bouteille de gaz, en veillant à ce que le filetage de la vis de la sortie de gaz de la bouteille de gaz et l'écrou du régulateur se chevauchent.
- Raccordez une extrémité du tuyau de la bouteille au régulateur de gaz et l'autre extrémité à l'entrée de gaz à l'arrière du poste et ouvrez le robinet de la bouteille de gaz.
- Réglez le débit de gaz à l'aide de la vanne de régulation de pression.
- Assurez-vous qu'il n'y a pas de fuite au niveau des connexions.



Diamètre de L'électrode (mm)	Diamètre de La Buse (mm)	Courant de Soudage (ACC)	Flux de Gaz (l/min)
1.0	6.3	30-70	6-8
1.6	9.5	30-150	6-8

Figure 3 : Raccordement de la bouteille de gaz, du détendeur et du tuyau

2.3.3 Préparation des connexions de la torche

Connexions de la torche TIG avec l'adaptateur de torche TIG CX79 :

- Insérez l'écrou à l'extrémité de la torche à travers le boîtier en plastique et serrez-le fermement sur la fiche de la torche. Insérez ensuite la fiche de la torche dans le corps en plastique.
- Insérez le raccord coudé du tuyau à gaz dans le trou du boîtier en plastique et serrez-le fermement dans la douille.
- Fixez le tuyau à gaz sur le raccord coudé et serrez-le fermement.
- Fixez les broches de connecteur standard fournies aux fils de commande de la gâchette de la torche.

2.3.4 Connexions de la torche

- Insérer la fiche de la torche TIG dans la prise de soudage du pôle négatif et la serrer fermement en la tournant vers la droite. Fixez le connecteur de la gâchette de la torche inclus aux fils de commande de la gâchette de la torche. Branchez ensuite le connecteur sur la prise de commande de la gâchette.
- Branchez le tuyau de gaz de la torche sur la sortie de gaz.
- Dans les modèles refroidis par eau, raccordez le tuyau « bleu » froid de la torche à la sortie d'eau froide de la machine et le tuyau « rouge » chaud à l'entrée d'eau chaude de la machine.

2.3.5 Connexions de la pince de mise à la terre

- Insérez la fiche du câble de la pince de mise à la terre dans la prise du pôle positif et serrez-la fermement en la tournant vers la droite.
- Pour améliorer la qualité de la soudure, connectez fermement la pince de mise à la terre à la pièce à souder, aussi près que possible de la zone à souder.

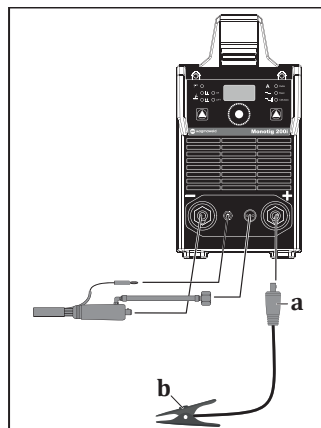


Figure 4 : Connexions de soudage

2.3.6 Remplacement de l'électrode de tungstène

- La buse à gaz céramique et l'électrode de tungstène doivent être sélectionnées en fonction du courant de travail et de la forme de la pièce à souder. En fonction de ces éléments, les diamètres de la pince et du porte-pince doivent correspondre au diamètre de l'électrode de tungstène.
- Retirer le capuchon de serrage.
- Retirer l'électrode existante de la pince et insérer la nouvelle électrode en tungstène.
- Fixer la pince à électrode sur la torche.
- Serrez fermement le capuchon de serrage.

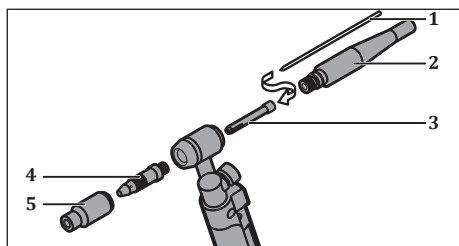
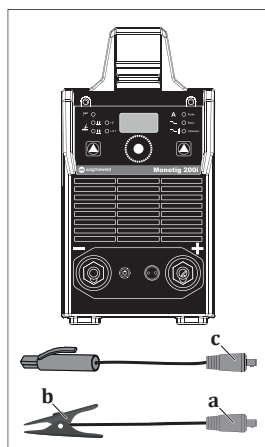


Figure 5 : Remplacement de l'électrode de tungstène

2.4 Connexions pour le soudage à l'électrode enrobée

- 2.3.1 Démarrer la machine en suivant les étapes du point 2.3.1.
- Connectez la fiche du câble de la pince d'électrode et la fiche du câble de la pince de mise à la terre aux prises de source et de terre en fonction de l'électrode à utiliser et de la polarité recommandée par le fabricant de l'électrode.
- Pour améliorer la qualité du soudage, fixez fermement la pince de mise à la terre à la pièce aussi près que possible de la zone à souder.
- Réglez le courant de soudage. La machine est prête pour le soudage.
- Le tableau suivant est donné à titre de référence pour le réglage de l'ampérage des aciers non alliés. Veuillez suivre les recommandations du fabricant d'électrodes.



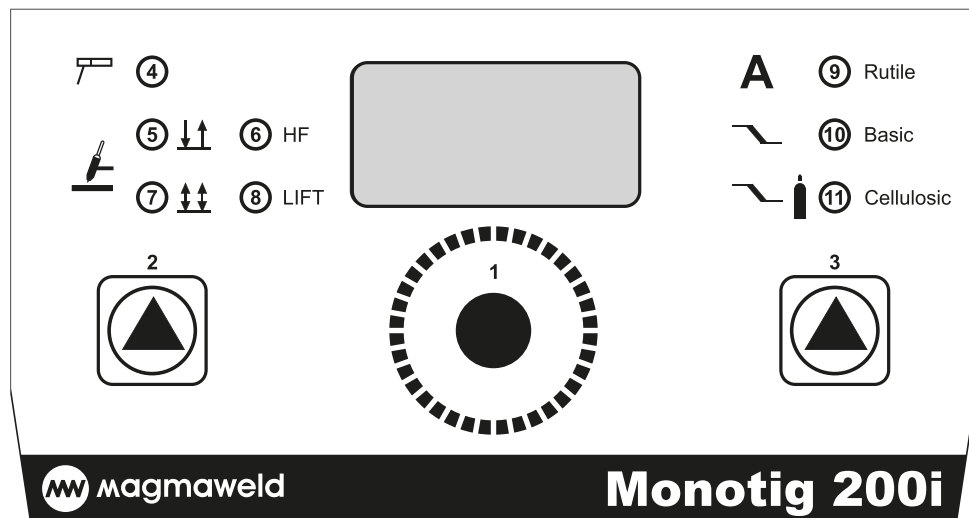
Diamètre de l'électrode Enrobée "mm"	Courant de soudage recommandé		
	Rutile	Basic	Cellulosique
2.0	40-60 A	-	-
2.5	60-90 A	60-90 A	60-100 A
3.25	100-140 A	100-130 A	70-130 A
4.0	140-180 A	140-180 A	120-170 A

Figure 6 : Connexions de soudage

UTILISATION

3.1 Interface Utilisateur

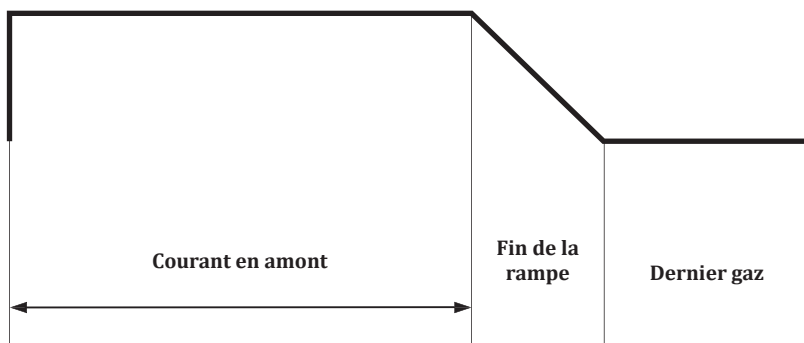
FR



1	Potentiomètre de fonction de réglage Permet d'augmenter ou de diminuer le paramètre sélectionné.
2	Bouton de sélection du mode soudage Est utilisé pour sélectionner l'un des modes de soudage à l'électrode enrobée/soudage MMA, de soudage TIG à allumage HF et de soudage TIG à démarrage par contact.
3	Touche de sélection de la durée, du gaz et du type d'électrode
4	Led du mode MMA Le mode de soudage à l'électrode enrobée est activé.
5	2 LED de mode de déclenchement démarré lorsque la gâchette est enfoncée. Se termine lorsque la gâchette est relâchée.
6	Allumage HF Lorsqu'il est approché de la pièce sans la toucher, l'allumage commence par un saut de tension sur le gaz d'arc.
7	4 LED de mode de déclenchement Lorsque l'on appuie sur la gâchette et qu'on la relâche, le soudage commence avec l'allumage. Lorsque l'on appuie sur la gâchette et qu'on la relâche à nouveau, la soudure se termine.
8	Allumage L'allumage commence lorsque l'électrode frotte contre la pièce pendant que la gâchette de la torche est active.

Lorsque le voyant numéro 9 est allumé et que la machine est en mode TIG, il diminue ou augmente le courant de soudage avec le pot numéro 1. Lorsque le voyant numéro 10 est allumé et que la machine est en mode TIG, la durée de la rampe de fin est réglée avec le pot numéro 1. Si la machine est en mode TIG, lorsque vous appuyez sur le bouton numéro 1 et le maintenez enfoncé, le réglage du pré-gaz s'ouvre. Tournez le pot 1 vers la gauche et la droite pour régler le paramètre de pré-gaz, appuyez à nouveau sur le pot 1 pour quitter le réglage. Lorsque le voyant 11 est allumé et que la machine est en mode TIG, le dernier paramètre de gaz est réglé avec le pot 1. Lorsque le mode de soudage à électrode enrobée 4 est sélectionné avec la touche 2, la sélection d'électrodes 9 n Rutile, 10 n Basique, 11 n Cellulosique est ajustée par le bouton 3.

3.2 Courbe TIG



3.3 Structure du menu

Les états d'activation ou de désactivation des fonctions selon les modes sont indiqués dans le tableau ci-dessous.

Paramètre	Plage de valeurs	Réglage Par Default	LED	MMA	Position 2 TIG		Position 4 TIG		Soudage Par Points TIG
					DC	DC	DC	DC	
Courant en amont	5-200 A	80 A	19	✓	✓	✓	✓	✓	
Fin de la rampe	0-10 sn.	1 sn.	23		✓	✓	✓		
Dernier gaz	0-20 sn.	2 sn.	25		✓	✓	✓		

3.3.1 Méthode de soudage TIG



En mode TIG à allumage HF, la torche a une tension d'allumage élevée. Lorsque l'appareil est en fonctionnement, Ne jamais toucher l'électrode de soudage ou les parties de celle-ci qui conduisent le courant de soudage !

- 10 programmes de travail couvrant tous les réglages de paramètres sont conservés dans la mémoire de la machine et utilisés pour les travaux répétitifs définis par l'utilisateur.
- Lors de la première mise en service de la machine, tous les paramètres sont réglés en usine comme indiqué dans le tableau ci-dessus.
- Pour utiliser un programme dont vous avez déjà réglé les paramètres ou pour modifier les paramètres d'un programme, sélectionnez le programme en appuyant sur le bouton de sélection de programme.
- Sélectionnez le soudage TIG avec allumage HF ou le soudage TIG avec démarrage par contact en appuyant sur le bouton de sélection du mode de soudage.
- Utiliser les boutons de sélection 2 positions, 4 positions, position de la contre-pointe pour sélectionner le mode approprié pour chacun de ces modes.

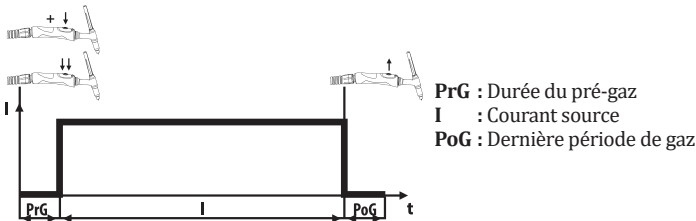
- Utiliser les boutons de sélection des paramètres TIG pour modifier les paramètres de soudage. Lorsque la LED du paramètre dont vous souhaitez modifier la valeur s'allume, réglez le paramètre en tournant le bouton de réglage des paramètres. Les derniers réglages que vous avez effectués pour le numéro de programme que vous avez choisi seront automatiquement enregistrés, vous n'avez rien à faire pour l'enregistrement. Pour réutiliser un programme dont vous avez défini les paramètres ou pour modifier ses paramètres, vous pouvez sélectionner le programme en appuyant sur le bouton de sélection de programme et l'utiliser exactement ou modifier ses paramètres.

Électrode En Tungstène Diamètre (mm)	TIG Recommandé Courant de Soudage
1.6	30-130
2.0	45-180
2.4	70-240

3.3.2 Utilisation des modes de déclenchement du soudage TIG

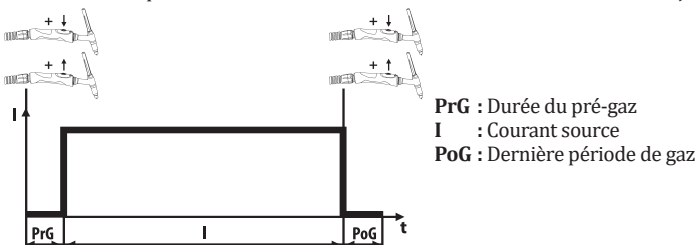
Soudage TIG de position 2

Lorsque vous appuyez sur la gâchette de la torche et la maintenez enfoncée, le courant initial démarre après le pré-accélérateur et le courant augmente pendant la rampe jusqu'au niveau de courant supérieur et se maintient au niveau de courant supérieur tant que la gâchette est maintenue enfoncée. Lorsque vous relâchez la gâchette, le courant diminue pendant la rampe de fin et descend jusqu'au niveau de courant de fin, mettant fin au soudage. Le gaz final est alors allumé.



Soudage TIG de position 4

Lorsque vous appuyez sur la gâchette de la torche et la maintenez enfoncée, le courant de démarrage commence après le pré-gaz, et lorsque vous relâchez la gâchette, le courant augmente pendant la rampe jusqu'au niveau de courant supérieur, c'est-à-dire le courant de soudage. En mode DC, le soudage se poursuit au courant supérieur, oscillant entre le courant supérieur et le courant inférieur à la fréquence sélectionnée en mode DC PULSE, et après avoir appuyé et tiré la gâchette pendant plus de 1 s, le courant diminue pendant la rampe pour atteindre le courant de fin et le processus se termine après le dernier temps de gaz. Le courant faible est généralement utilisé pour la réparation ou le refroidissement léger pendant le soudage, ainsi que pour le remplissage du cratère et l'arrêt final à la fin du soudage. À la fin du soudage, que ce soit en mode DC ou PULSE DC, lorsque vous appuyez sur la gâchette de la torche pendant moins d'une seconde, le courant inférieur est commuté, le cratère est rempli et lorsque vous appuyez sur la gâchette pendant plus d'une seconde, le courant de fin est cette fois atteint en fonction de la vitesse de la rampe à partir du niveau de courant inférieur. Le but du courant de finition est d'éliminer le risque de fissuration en assurant un refroidissement contrôlé du joint de soudure.



■ 3.3.3 Méthode de soudage à l'électrode enrobée

Appuyer sur le bouton de sélection du mode de soudage jusqu'à ce que le voyant "Soudage à l'électrode enrobée" s'allume. Sélectionnez le type d'électrode que vous utiliserez avec le bouton de sélection du type d'électrode. Les numéros de programme et les paramètres de soudage ne sont pas actifs en mode électrode enrobée. Dans ce mode, seul le voyant de courant de source est actif. Régler le courant de source à l'aide du bouton de paramétrage.



MAINTENANCE ET DÉFAILLANCES

- L'entretien et la réparation de la poste doivent être effectués par des personnes compétentes. Notre société n'est pas responsable des accidents qui se produisent à la suite d'interventions par des personnes non autorisées.
- Les pièces à utiliser pendant la réparation peuvent être obtenues auprès de nos services autorisés. L'utilisation de pièces détachées d'origine prolongera la durée de vie de votre poste et empêchera les pertes de rendement.
- Contactez toujours le fabricant ou un agent de service autorisé spécifié par le fabricant.
- Toute tentative non autorisée par le fabricant pendant la période de garantie annulera toutes les dispositions de la garantie.
- Respectez scrupuleusement les consignes de sécurité applicables pendant les procédures d'entretien et de réparation.
- Avant toute opération de réparation de la poste, déconnectez la sortie électrique de la poste du secteur et attendez 10 secondes pour que les condensateurs se déchargent.

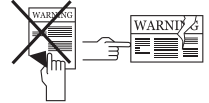
FR

4.1 Maintenance



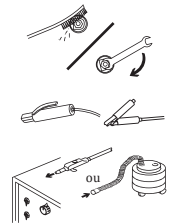
Maintenance Journalière

- Ne retirez pas les étiquettes d'avertissement sur l'appareil. Remplacez les étiquettes usées / déchirées par des neuves. Vous pouvez obtenir les étiquettes auprès de votre revendeur.
- Vérifiez la torche, les pinces et les câbles. Vérifiez le bon état et les fixations des composants. Remplacez les pièces endommagées ou défectueuses par des nouvelles. N'utilisez pas des rallonges pour les câbles et n'essayez jamais réparer un câble.
- Assurez-vous qu'il y a suffisamment d'espace pour la ventilation.
- Les consommables sur la torche TIG doivent être nettoyés régulièrement et remplacé si nécessaire. Pour une utilisation longue durée de ces matériaux, assurez-vous que ce sont des produits originaux.
- Avant de commencer le soudage, vérifiez le débit de gaz de la pointe de la torche à l'aide d'un débitmètre. Si le débit de gaz est élevé ou faible, amenez-le au niveau adapté pour le soudage.



Tous Les 6 Mois

- Nettoyez et serrez les fixations telles que les boulons et les écrous.
- Vérifiez le fil de la pince à électrode et de la pince de masse.
- Ouvrez les capots latéraux de la poste et nettoyez-les à l'air sec à basse pression. N'appliquez pas d'air comprimé sur des composants électroniques à courte distance.
- Vérifiez la prise à laquelle la fiche d'alimentation du poste est connectée. Supprimez le jeu éventuel dans les points de connexion du câble d'alimentation de la prise. En cas d'arc ou d'expansion au niveau des connecteurs, remplacez la prise.
- Vérifiez la fiche d'alimentation du poste. Supprimez le jeu éventuel des points de connexion du câble d'alimentation. En cas d'arc ou d'expansion au niveau de la fiche, remplacez-la.



REMARQUE: Les délais mentionnés ci-dessus sont les périodes maximales à appliquer dans le cas où aucun problème ne se produit sur la poste. En fonction de la densité de votre activité et de la pollution de votre environnement de travail, vous pouvez répéter les opérations ci-dessus plus fréquemment.



Ne jamais procéder au soudage lorsque les couvercles du poste de soudage sont ouverts.

4.2 Dépannage

- Si la machine ne soude pas alors que le voyant de défaut thermique sur le panneau avant est allumé, la machine a peut-être surchauffé et le thermostat est passé en protection. Une température élevée dans l'air ou un soudage prolongé à des valeurs d'ampérage élevées sont des causes possibles de surchauffe. Laissez la machine en marche pendant un certain temps pour permettre au ventilateur de la refroidir. Lorsque la machine s'est refroidie et que le voyant de défaut thermique s'est éteint, vous pouvez continuer à souder.
- Si le ventilateur fonctionne et que la machine ne soude pas alors que le bouton marche/arrêt est allumé, éteignez la machine, attendez 1 minute, redémarrez la machine et essayez de souder. Si la machine ne soude toujours pas, contactez un centre de service agréé.

4.3 Codes d'incident

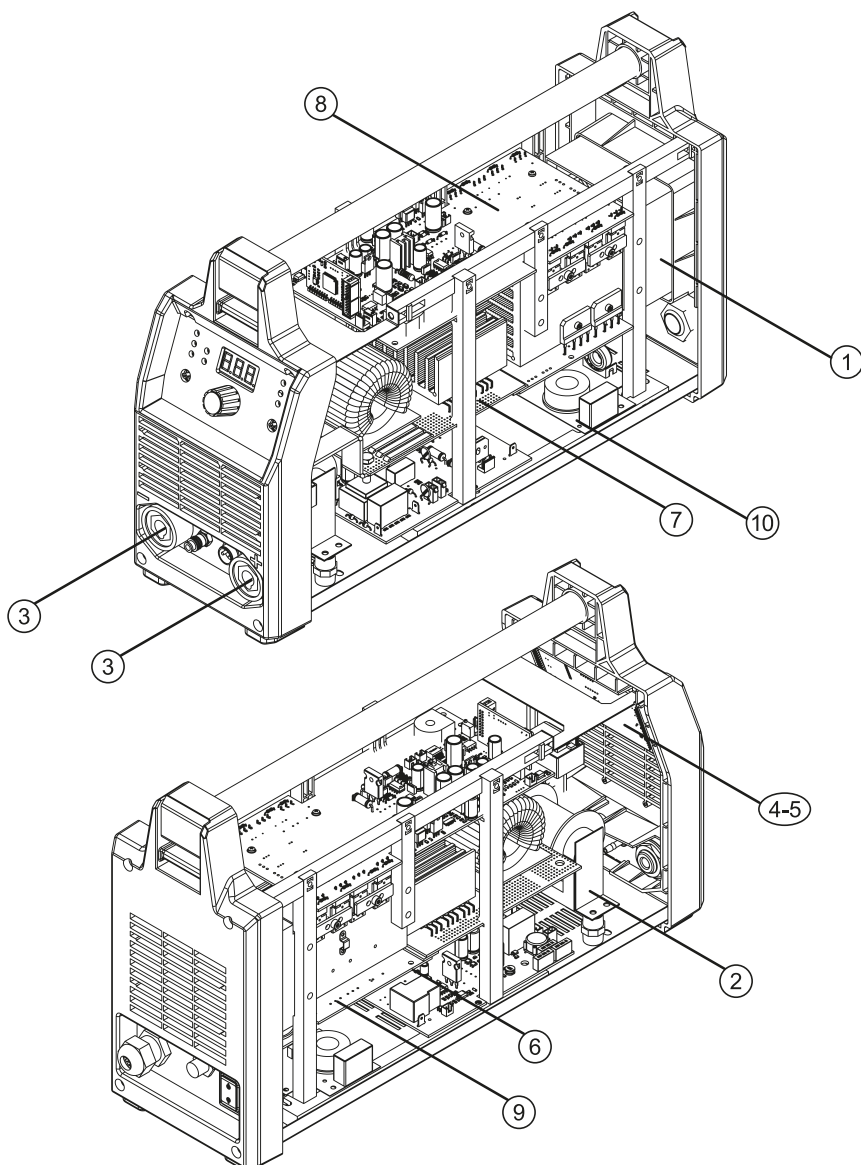
Code d'incident	Incident	Cause	Solution
E01	Protection Thermique (Primaire)	<ul style="list-style-type: none"> • Le temps de fonctionnement de votre poste a peut-être été dépassé 	<ul style="list-style-type: none"> • Laissez le poste refroidir en attendant un moment. Si le défaut disparaît, essayez de l'utiliser à des valeurs d'ampérage inférieures • Si le problème persiste, contactez le service agréé
		<ul style="list-style-type: none"> • Le ventilateur peut ne pas fonctionner 	<ul style="list-style-type: none"> • Vérifiez visuellement si le ventilateur fonctionne ou non • Si le problème persiste, contactez le service agréé
		<ul style="list-style-type: none"> • Avant des conduits d'entrée-sortie d'air peut être fermé 	<ul style="list-style-type: none"> • Ouvrez les conduits d'aération • Si le problème persiste, contactez le service agréé
		<ul style="list-style-type: none"> • L'environnement de travail de la poste peut être extrêmement chaud ou étouffant 	<ul style="list-style-type: none"> • Assurez-vous que l'environnement de travail de la poste n'est pas excessivement chaud ou étouffant • Si le problème persiste, contactez le service agréé
E02	Tension Secteur Basse	<ul style="list-style-type: none"> • La tension secteur peut avoir chuté 	<ul style="list-style-type: none"> • Vérifiez les câbles de raccordement à l'alimentation et la tension. Assurez-vous que la tension d'entrée correcte est fournie. Si la tension d'alimentation est normale, contactez le service agréé
E03	Tension Secteur Élevée	<ul style="list-style-type: none"> • La tension secteur peut avoir augmenté 	<ul style="list-style-type: none"> • Vérifiez les câbles de raccordement à l'alimentation et la tension. Assurez-vous que la tension d'entrée correcte est fournie. Si la tension d'alimentation est normale, contactez le service agréé.



ANNEXE

5.1 Listes des Pièces Détachées

FR



5.1 Listes des Pièces Détachées

FR

N°	DESCRIPTION	monoTIG 160i
1	Ventilateur compact	A250200026
2	Transformateur HF	A366700008
	Capteur à effet Hall 300A	A834000001
3	Prise de soudage	A377900104
4	Carte électronique E505A-1	K405000186
5	Carte électronique E505A-2	K405000187
6	Carte électronique E505A-3	K405000185
7	Carte électronique E203A PWR/200TIG	K405000176
8	Carte électronique M.TIG 200i E204A-GR	K405000191
9	Carte électronique E203A AC PWR	K405000226
10	Carte électronique E201B-FLT TIG/	K405000295

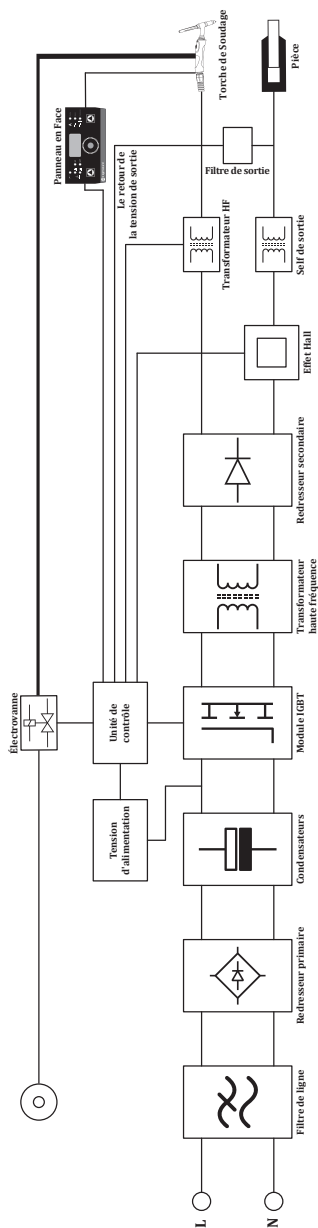
5.1 Listes des Pièces Détachées

N°	DESCRIPTION	monoTIG 200i
1	Ventilateur compact	A250200026
2	Transformateur HF	A366700008
	Capteur à effet Hall 300A	A834000001
3	Prise de soudage	A377900104
4	Carte électronique E505A-1	K405000186
5	Carte électronique E505A-2	K405000187
6	Carte électronique E505A-3	K405000185
7	Carte électronique E203A PWR/200TIG	K405000176
8	Carte électronique M.TIG 200I E204A-GR	K405000191
9	Carte électronique E203A AC PWR	K405000226
10	Carte électronique E201B-FLT TIG/	K405000295

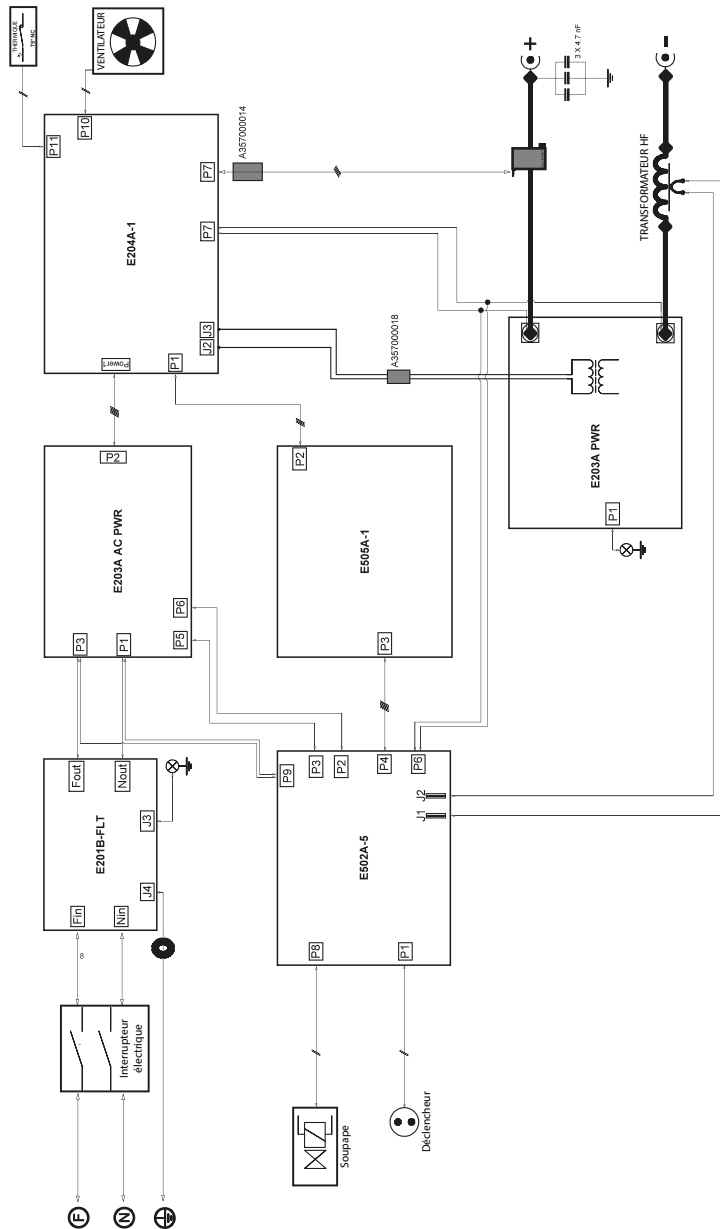
FR

5.2 Schémas de connexion

Diagramme



Schémas de circuit



FR

INFORMATION PRODUIT

Modèle

Numéro de série

FABRICANT

Nom

MAGMA MEKATRONİK MAKİNE SANAYİ VE TİCARET A.Ş.

Adresse

Organize Sanayi Bölgesi 5. Kısım MANİSA

Téléphone / Courriel

+90 236 226 27 00 / info@magmaweld.com

INFORMATIONS D'ACHAT

Nom du revendeur

Ville / Pays

Téléphone / Courriel

Date d'achat

INFORMATIONS CLIENT

Nom de l'entreprise

Ville / Pays

Téléphone / Courriel

Nom du contact

INFORMATIONS SUR LA MISE EN ROUTE (le cas échéant)Nom de l'entreprise de la
mise en route

Nom du technicien

Date de la mise en route
(Date de début de garantie)

Veuillez visiter notre site web www.magmaweld.fr/conditions-de-garantie/wt
pour les conditions de garantie.

 **СОДЕРЖАНИЕ**

	ПРАВИЛА ТЕХНИКИ БЕЗОПАСНОСТИ	60
1	ТЕХНИЧЕСКАЯ ИНФОРМАЦИЯ	
1.1	Общее описание	67
1.2	Комплектующие сварочного аппарата	67
1.3	Этикетка продукта	68
1.4	Технические характеристики	69
1.5	Вспомогательные устройства и приспособления	69
2	ИНФОРМАЦИЯ ПО УСТАНОВКЕ И НАСТРОЙКЕ	
2.1	Контроль доставки	70
2.2	Рекомендации по установке и эксплуатации	70
2.3	Соединения для сварки TIG	71
2.3.1	Подсоедините аппарат к сети и включите	71
2.3.2	Газовые соединения	71
2.3.3	Подготовка подключений резака	72
2.3.4	Подключения резака	72
2.3.5	Зажимы заземления	72
2.3.6	Замена вольфрамового электрода	73
2.4	Соединения для сварки MMA	73
3	ИНФОРМАЦИЯ ПО ЭКСПЛУАТАЦИИ	
3.1	Интерфейс пользователя	74
3.2	Цикл TIG	75
3.3	Структура меню	75
3.3.1	Процесс сварки TIG	75
3.3.2	Использование режимов TIG-сварки	76
3.3.3	Метод сварки покрытым электродом	77
4	ТЕХОБСЛУЖИВАНИЕ И УСТРАНЕНИЕ НЕИСПРАВНОСТЕЙ	
4.1	Техобслуживание	78
4.2	Устранение неисправностей	79
4.3	Коды неисправностей	79
5	ПРИЛОЖЕНИЕ	
5.1	Список запасных частей	81
5.2	Схемы подключения	84

ПРАВИЛА ТЕХНИКИ БЕЗОПАСНОСТИ

Соблюдайте все правила техники безопасности, указанные в этом руководстве!

Описание сведений по технике безопасности



- Знаки по технике безопасности, указанные в руководстве, используются для определения потенциальных источников опасности.
- При размещении какого-либо знака по технике безопасности в этом руководстве его следует понимать как указание на наличие риска телесных повреждений и во избежание потенциальной опасности внимательно ознакомиться с предоставленными далее пояснениями.
- Владелец оборудования несёт ответственность за предотвращение доступа посторонних лиц к оборудованию.
- Лица, осуществляющие эксплуатацию оборудования, должны иметь опыт или пройти полную подготовку по вопросу выполнения сварочных сварка / резка; перед работой на оборудовании ознакомьтесь с руководством по эксплуатации и соблюдайте инструкции по технике безопасности.

Описание знаков по технике безопасности

ВНИМАНИЕ



Указывает на потенциально опасную ситуацию, которая может привести к травме или повреждению. Несоблюдение этой меры предосторожности может привести к травме или потере/повреждению имущества.



ВАЖНО

Указывает на информацию и предупреждения, касающиеся эксплуатации.



ОПАСНОСТЬ

Указывает на серьёзную опасность. В случае непринятия мер может привести к смерти или серьёзным травмам.

Понимание предупреждений по технике безопасности



- Внимательно прочитайте руководство по эксплуатации, а также ознакомьтесь с маркировкой (ярлыком) и предупреждениями по технике безопасности, размещёнными на оборудовании.
- Убедитесь, что предупреждающая маркировка находится в надлежащем состоянии. Замените отсутствующие и повреждённые ярлыки.
- Ознакомьтесь со способом эксплуатации оборудования и правильными методами управления оборудованием.
- Осуществляйте эксплуатацию вашего оборудования в соответствующей одежде.
- Несоответствующие изменения, проводимые на вашем оборудовании, негативно скажутся на безопасной эксплуатации и сроке службы оборудования.
- Производитель не несёт ответственности за какие-либо последствия, возникающие в результате эксплуатации устройства за пределами вышеуказанных условий.

Поражение электротоком может привести к летальному исходу



Убедитесь, что процедуры установки соответствуют национальным электрическим стандартам и иным соответствующим нормам, а также обеспечьте установку оборудования компетентными лицами.

- Пользуйтесь сухими и неповреждёнными изолированными перчатками и рабочим фартуком. Запрещается использовать мокрые или повреждённые перчатки и рабочие фартуки.
- Носите огнестойкую защитную одежду, чтобы избежать ожогов. Одежда, используемая оператором, должна защищать от искр, брызг и излучения дуги.
- Не работайте в одиночку. В случае опасности убедитесь, что у вас есть помощник на рабочем месте.
- Не касайтесь электрода голыми руками. Не допускайте контакта держателя электрода или электрода с другими людьми или заземлёнными предметами.
- Никогда не прикасайтесь к частям, которые разносят электричество.
- Не прикасайтесь к электроду при контакте с электродом, подключённым к рабочей поверхности, полу или другому оборудованию.

- Вы можете защитить себя от возможных поражений электрическим током, изолировав себя от рабочей поверхности и пола. Используйте сухой, неповрежденный, невоспламеняющийся электроизоляционный материал таких размеров, чтобы он был пригодным для предотвращения контакта оператора с рабочей поверхностью.
- Не подключайте более одного электрода к держателю электрода.
- Подсоедините зажим заземления к заготовке или рабочему столу как можно ближе, чтобы обеспечить хороший контакт металла с металлом.
- Проверьте горелку перед работой со сварочным аппаратом. Убедитесь, что горелка и его кабели в хорошем состоянии. Обязательно замените поврежденную изношенную горелку.
- Не касайтесь держателей электродов, подключенных к двум сварочным аппаратам одновременно, так как будет присутствовать двойное напряжение холостого хода.
- Держите аппарат выключенным и отсоедините кабели, когда она не используется.
- Перед ремонтом машины отключите все электрические соединения и / или разъемы или выключите машину.
- Будьте осторожны при использовании длинного сетевого кабеля.
- Убедитесь, что все соединения чистые и сухие.
- Следите за тем, чтобы кабели были сухими, чистыми и обезжиренными, а также защищенными от горячего металла и искр.
- Оголенная проводка может убить. Часто проверяйте все кабели на предмет возможных повреждений. Если обнаружен поврежденный или неизолированный кабель, немедленно отремонтируйте или замените его.
- Если зажим заземления не подключен к заготовке, изолируйте его, чтобы предотвратить контакт с любым металлическим предметом.
- Убедитесь, что заземление линии питания подключено правильно.
- Не используйте источник переменного тока во влажных, сырых или перегруженных местах, а также в местах, где существует опасность падения.
- Используйте источник переменного тока ТОЛЬКО, если это необходимо для процесса сварки.
- Если требуется источник переменного тока, используйте дистанционное управление источником, если оно имеется на устройстве.

Дополнительные меры предосторожности требуются при наличии любого из следующих электрически опасных условий:

- во влажных местах или в мокрой одежде,
- на металлических конструкциях, таких как полы, решетки или строительные леса,
- когда вы находитесь в стесненном положении, например, сидя, на коленях или лежа,
- когда существует высокий риск неизбежного или случайного контакта с заготовкой или землей.

Для этих условий используйте следующее оборудование:

- Полуавтоматический аппарат для сварки MIG постоянного напряжения (CV),
- Ручной сварочный аппарат MMA постоянного тока,
- Сварочный аппарат постоянного или переменного тока с пониженным напряжением холостого хода (VRD), если имеется.

Процедуры при поражении электрическим током



- Отключите электричество.
- Используйте непроводящий материал, например сухую древесину, чтобы освободить пострадавшего от контакта с токоведущими частями или проводами.
- Позвоните в службу экстренной помощи.

Если у вас есть обучение оказанию первой помощи;

- Если пострадавший не дышит, проведите сердечно-легочную реанимацию (СЛР) сразу после разрыва контакта с источником электричества. Продолжайте СЛР (массаж сердца) до тех пор, пока не начнется дыхание или пока не придет помощь.
- Если имеется автоматический электронный дефибрилятор (AED), используйте его в соответствии с инструкциями.
- Относитесь к электрическому ожогу как к термическому ожогу, прикладывая стерильные холодные (ледяные) компрессы. Избегайте загрязнения и накройте чистой сухой повязкой.

Движущиеся части могут привести к телесным повреждениям



- Не приближайтесь к движущимся объектам.
- Закрывайте и запирайте все крышки, панели, дверцы и т.п. защитные приспособления оборудования и устройств.
- Носите ботинки с металлическим носком на случай падения тяжелых предметов.

Дым и газы могут нанести вред вашему здоровью



Во время выполнения сварки / резки и резки чрезвычайно опасно вдыхать дым и газ в течение длительного времени.

- Жжение и раздражение глаз, носа и горла указывают на недостаточность вентиляции. В этом случае необходимо незамедлительно улучшить уровень вентиляции и, если проблема не устранена, остановить сварку / резку.
- Предусмотрите на рабочем участке систему естественной или искусственной вентиляции.
- На участках выполнения сварки / резки или резки используйте соответствующую систему удаления дыма. При необходимости установите систему, которая обеспечит вывод дыма и газов, накапливающихся в цехе в целом. Во избежание загрязнения окружающей среды во время выброса газов используйте соответствующую систему фильтрации.
- При проведении работ в ограниченном пространстве или при выполнении сварки / резки материалов с покрытием из свинца, бериллия, кадмия, цинка, а также окрашенных материалов, помимо вышеуказанных мер предосторожности, используйте маски, обеспечивающие подачу свежего воздуха.
- Если газовые баллоны сгруппированы в отдельной зоне убедитесь в наличии хорошей вентиляции в этом помещении; закрывайте главные клапаны по окончании использования газовых баллонов, проверяйте баллоны на предмет утечки газа.
- Защитные газы (аргон и т.п.) плотнее воздуха и при использовании в помещении могут попадать в дыхательные пути вместо воздуха. Это опасно для вашего здоровья.
- Не проводите сварочные работы при наличии паров хлорированных углеводородов, выделяющихся во время смазочных и покрасочных работ.
- Некоторые сварные / вырезанные детали требуют специальной вентиляции. Следует внимательно прочитать правила безопасности продуктов, требующих специальной вентиляции. В случаях, когда требуется противогаз, следует надеть подходящий противогаз.

Излучение сварочной дуги может нанести вред вашим глазам



- Для защиты глаз и лица используйте соответствующую защитную маску и пригодный для маски стеклянный фильтр.
- Защищайте от этого излучения также другие части тела (руки, шею, уши и т.д.) соответствующей защитной одеждой.
- Для предупреждения возникновения у окружающих повреждений от воздействия сварочной дуги и горячих металлов, оградите ваш рабочий участок огнестойкими экранами высотой на уровне глаз и повесьте предупреждающие знаки.
- Оборудование не предназначено для нагревания замёрзших труб. Проведение таких работ сварочным аппаратом может привести к взрыву, пожару или повреждению вашего оборудования.

Искры и разбрызгивающиеся частицы могут нанести повреждения глазам



- При выполнении таких работ, как сварка, шлифовка или зачистка поверхности, могут образоваться искры и происходить разбрызгивание металлических частиц. Для предупреждения телесных повреждений надевайте под маску утврждённые к применению защитные рабочие очки с боковыми щитками.

Горячие детали могут привести к тяжёлым ожогам



- Не прикасайтесь к горячим деталям голыми руками.
- Перед работой с деталями оборудования подождите некоторое время, пока они остынут.
- При необходимости контакта с горячими деталями, используйте соответствующие инструменты, теплоизоляционные сварочные перчатки и огнеупорную одежду.

Повышенный Уровень Шума Может Нанести Вред Слуху



- Шум, выделяемый некоторым оборудованием и работами, может нанести вред слуху.
- При повышенном уровне шума используйте утврждённые к применению защитные наушники.

Сварочная проволока может нанести телесные повреждения



- При разматывании катушки сварочной проволоки не направляйте горелку на какую-либо часть тела, а также на других людей или какие-либо металлические предметы.
- При разматывании вручную катушки сварочной проволоки, особенно, небольшого диаметра, проволока может выскочить из ваших рук, как пружина, и травмировать вас или окружающих, поэтому при выполнении этих работ особое внимание уделите защите глаз и лица.

Сварка может привести к пожарам и взрывам



- Запрещается производить сварку вблизи легковоспламеняющихся материалов. Это может привести к пожару или взрыву.
- Перед проведением сварочных работ удалите эти предметы с участка или накройте их защитными покрытиями для предупреждения возгораний.
- На этих участках применяются специальные национальные и международные правила.

- Не производите сварку и резку полностью закрытых труб или трубок.
- Перед выполнением сварка / резка труб и закрытых емкостей откройте их, полностью опорожните, проветрите и очистите. Соблюдайте максимальную осторожность при выполнении сварка / резка на таких участках.
- Не производите сварку опорожнённых труб и трубок, которые ранее содержали вещества, способные вызвать взрыв, пожар или другие реакции.
- Сварочное оборудование имеет свойство нагреваться. Поэтому не размещайте его на легко воспламеняемых или легко повреждаемых поверхностях!

- Сварочные искры могут привести к возникновению пожара. По этой причине обеспечьте наличие в легко доступных для вас местах таких материалов, как огнетушители, вода и песок.
- Используйте обратные клапаны, газовые регуляторы и клапаны в сетях горючих, взрывоопасных газов и сжатого газа.

Выполнение технического обслуживания оборудования устройств некомпетентными лицами может привести к телесным повреждениям



- Запрещается привлекать некомпетентных лиц к ремонту оборудования. Ошибки, которые могут быть допущены при нарушении этого требования, могут привести к серьёзным травмам или летальному исходу.
- Элементы газовой сети работают под давлением; в результате манипуляций, производимых некомпетентными лицами, могут возникнуть взрывы, и пользователи могут получить серьёзные травмы.
- Рекомендуется производить обслуживание оборудования и его периферийных устройств не реже одного раза в год.

Сварка / Резка на небольших участках и участках с ограниченным пространством



- Выполняйте сварку/резку на небольших участках и участках с ограниченным пространством в присутствии ещё одного человека.
- По мере возможности избегайте проведения сварочных работ/резки в ограниченных пространствах.

Несоблюдение необходимых мер предосторожности при перемещении оборудования может привести к несчастным случаям



- При перемещении оборудования соблюдайте все необходимые меры предосторожности. Участки, на которых будет производиться перемещение, части, подлежащие перемещению, а также физическое состояние и здоровье людей, вовлечённых в процесс перемещении оборудования, должны соответствовать требованиям процедуры перемещения и транспортировки.
- Некоторое оборудование имеет большую массу, поэтому при перемещении убедитесь в принятии всех мер предосторожности по охране окружающей среды.
- Если сварочный аппарат предполагается использовать на платформе, необходимо убедиться в том, что такая платформа имеет соответствующие пределы нагрузки.
- При перемещении оборудования при помощи какого-либо механизма (тележка, вилочный погрузчик и пр.) убедитесь в надлежащем состоянии точек крепления механизма и оборудования (крепление подвесок, ремней для перемещения, болтов, гаек, колёс и т.п.).
- При выполнении перемещения вручную убедитесь в надлежащем состоянии приспособлений оборудования (подвески, ремни для перемещения и т.п.) и их креплений.

- С целью обеспечения необходимых требований для перемещения соблюдайте правила Международной организации труда в отношении веса перемещаемого оборудования, а также нормативы по перемещению оборудования, действующее в вашей стране.
- При перемещении источника питания используйте специальные приспособления (держатели или проушины). Запрещается перемещать оборудование, удерживая его за горелку, кабель или шланги. Перемещение газовых баллонов осуществляйте отдельно от всего оборудования.
- Перед перемещением сварочного и режущего оборудования демонтируйте все промежуточные соединения, осуществляйте поднятие и перемещение небольших частей посредством ручек, а более крупных частей с помощью соответствующих приспособлений (проушины) или вилочных погрузчиков.

Падение частей оборудования может привести к телесным повреждениям



Неправильное расположение источника питания или иного оборудования может привести к серьёзным травмам и повреждению имущества.

- Во избежание падений и опрокидывания вашего оборудования его необходимо разместить на основании (полу) или платформе с максимальным уклоном 10°. Это предупредит воспрепятствование подаче материала и риск застопоривания в кабелях и шлангах; предпочитайте для установки оборудования неподвижные широкие, не запылённые, легко вентилируемые участки. Во избежание опрокидывания газовых баллонов закрепите их, при наличии, на пригодной для баллонов платформе, находящейся на оборудовании, а при стационарном использовании, зафиксируйте баллон надёжным способом, прикрепив его к стене.
- Обеспечьте операторам лёгкий доступ к настройкам и подключениям на оборудовании.

Чрезмерная эксплуатация приводит к перегреву оборудования



- Обеспечьте остывание оборудования в соответствии с рабочим циклом.
- Перед повторным началом сварочных работ уменьшите коэффициент тока или загрузку рабочего цикла.
- Не закрывайте вентиляционные отверстия оборудования.
- Не устанавливайте фильтры в вентиляционные отверстия оборудования без разрешения производителя.

Дуговая сварка может вызвать электромагнитные помехи



- Данное устройство относится к группе 2, класс А в испытаниях электромагнитной совместимости (ЭМС) в соответствии со стандартом TS EN 55011.
- Данное устройства класса А не предназначено для эксплуатации в жилых помещениях с подачей электроэнергии от низковольтной сети. Возможны затруднения в достижении электромагнитной совместимости в связи с радиочастотными помехами, передача и распространение которых имеют место на таких участках.



Это устройство не соответствует стандарту IEC61000-3-12. При необходимости подключения к низковольтной сети, используемой в бытовых условиях, специалист, который будет осуществлять электрическое подключение, или лицо, которое будет эксплуатировать оборудование, должны быть осведомлены в вопросе особенности подключения оборудования, в этом случае пользователь несёт ответственность за проведение таких работ.

- Убедитесь, что рабочая зона соответствует электромагнитной совместимости (ЭМС). Электромагнитные помехи во время сварка / резка или резки могут вызвать нежелательные воздействия на ваши электронные устройства в вашей сети, и пользователь несёт ответственность за какие-либо помехи, которые могут возникнуть во время проведения работ.
- При возникновении каких-либо помех, могут быть приняты дополнительные меры для обеспечения совместимости в виде использования коротких кабелей, экранированных кабелей, перемещения сварочного аппарата в другое место, отдаления кабеля от оборудования и/или участка, попавшего под воздействие использования фильтров или защиты рабочего участка в аспекте ЭМС.
- Во избежание возможных повреждений в связи с нарушением ЭМС выполняйте сварочные работы как можно дальше (100м) от вашего чувствительного электронного оборудования.
- Убедитесь в установке и размещении вашего сварочного аппарата или газового резака в соответствии с руководством по эксплуатации.

**Оценка
электромагнитной
совместимости
рабочего
участка**



Согласно пункту 5.2 стандарта IEC 60974-9,

Перед установкой сварочного и режущего оборудования уполномоченное лицо предприятия и/ или пользователь должны произвести осмотр участка на предмет возможных электромагнитных помех на прилегающей территории. Необходимо обратить внимание на следующие вопросы:

- a) наличие других кабелей питания, кабелей управления, сигнальных и телефонных кабелей сверху, снизу и рядом со сварочным аппаратом и оборудованием;
- b) наличие радио- и телевизионных передатчиков и приемников;
- c) наличие компьютерного и иного оборудования, используемого для управления;
- d) наличие критического оборудования для обеспечения безопасности, например для защиты промышленного оборудования;
- e) наличие медицинских аппаратов (например, кардиостимуляторов и слуховых аппаратов), используемых населением на прилегающей территории;
- f) наличие оборудования, используемого для измерения или калибровки;
- g) невосприимчивость иного оборудования, находящегося на прилегающей территории. Пользователь должен убедиться, что иное оборудование, используемое на прилегающей территории, является совместимым. Это может потребовать дополнительных мер защиты;
- h) Границы рассматриваемого участка могут быть расширены в соответствии с размерами прилегающей территории, конструкцией зданий и иными работами, выполняемыми в здании, с учётом времени, в течение которого предполагается производить сварочные или иные работы в течение дня.

В дополнение к оценке участка также может потребоваться оценка мест установки устройств с целью устранения нарушающего совместимость воздействия. При необходимости, для подтверждения эффективности мер по снижению воздействия также можно провести измерения на месте. (Источник: МЭК 60974-9).

**Методы снижения
помех**



- Устройство должно быть подключено к источнику питания компетентным специалистом в соответствии с рекомендациями. При возникновении помех могут применяться дополнительные меры, такие как фильтрация сети. Электропитание оборудования для дуговой сварка / резка с фиксированным креплением должно осуществляться при помощи кабеля, проложенного через металлическую трубу или эквивалентного экранированного кабеля. Необходимо подключить экран и корпус источника питания, и между этими двумя конструкциями должен быть обеспечен хороший электрический контакт.
- Необходимо выполнять рекомендуемое плановое обслуживание устройства. При эксплуатации устройства должны быть закрыты и/или заперты все крышки корпуса оборудования. Без письменного разрешения производителя в устройство запрещается вносить какие-либо изменения или модификации, отличные от стандартных настроек. В противном случае вся ответственность за какие-либо последствия возлагается на пользователя.
- Сварочные кабели должны быть максимально короткими. Кабели должны выходить из пола рабочего участка бок о бок. Наматывание сварочных кабелей запрещено.
- Во время сварки / резки в оборудовании генерируется магнитное поле. Это может привести к притяжению оборудования металлическими предметами.
Для предотвращения этого убедитесь в размещении металлических материалов на безопасном расстоянии или в надёжной фиксации таких материалов. Оператор должен быть изолирован от всех таких взаимосвязанных металлических материалов.
- В случае отсутствия заземления обрабатываемого объекта или изделия, по соображениям электрической безопасности или в связи с его габаритными размерами и положением (например, при изготовлении корпуса судна или стальной конструкции), подключение между обрабатываемым объектом или изделием и землёй в некоторых случаях может снизить выбросы, и необходимо помнить, что заземление обрабатываемого объекта или изделия может привести к телесным повреждениям пользователя или неисправностям иного электрического оборудования, находящегося на прилегающей территории. При необходимости, заземление обрабатываемого объекта или изделия может быть выполнено прямым способом, но в некоторых странах, в которых прямое заземление запрещено, подключение может быть создано при помощи соответствующих элементов ёмкости в соответствии с местными нормами и правилами.
- Экранирование и защита других устройств и кабелей на рабочем участке может предотвратить возникновение воздействий, нарушающих совместимость. Для некоторых случаев может рассматриваться полное экранирование участка сварки / резки.

Дуговая сварка может создавать электромагнитное поле (ИМФ)



Электрический ток, проходящий через какой-либо проводник, создаёт локальные электрические и магнитные поля (ЭМП). Все сварщики должны применять следующие процедуры с целью минимизации риска воздействия ЭМП от сварочной цепи:

- Для уменьшения магнитного поля сварочные кабели должны быть объединены и как можно более надёжно закреплены с помощью крепёжных материалов (ленты, кабельные стяжки и т.п.).
- Тело и голова сварщика/рабочего должны находиться как можно дальше от сварочного аппарата и кабелей.
- Сварочные и электрические кабели ни в коем случае нельзя наматывать на корпус аппарата.
- Тело сварщика не должно находиться между сварочными кабелями. Оба сварочных кабеля должны находиться вдали от тела сварщика, рядом друг с другом.
- Обратный кабель должен быть подключён к обрабатываемому объекту или изделию максимально близко к участку сварки / резки.
- Запрещается опираться, садиться на источник питания сварочного аппарата, а также работать в непосредственной близости к нему.
- Запрещается производить сварки / резки во время перемещения устройства подачи сварочной проволоки или источника питания сварочного аппарата.

ЭМП также может нарушать работу медицинских имплантатов (кардиостимуляторы и т.п.). В виду этого для людей с медицинскими имплантатами должны быть приняты отдельные меры предосторожности. Например, введение ограничений на доступ для пересекающих дорогу людей, а также оценка индивидуальных рисков для сварщиков. Оценка рисков и выдача рекомендаций для пользователей с медицинскими имплантатами должна выполняться медицинским работником.

Защита



- Не подвергайте оборудование воздействию дождя, избегайте попадания на оборудование брызг воды или пара под давлением.

Энергоэффективность



- Выберите метод сварка / резка и сварочный аппарат, соответствующий запланированным сварочным работам.
- Установите параметры сварочного тока и/или напряжения, соответствующие материалу, подлежащему сварки / резки, а также его толщине.
- При длительном простое сварочного оборудования выключите оборудование после его охлаждения вентилятором. Наше оборудование (наша продукция), оснащённое вентилятором с интеллектуальным управлением, отключается автоматически.

Процедура утилизации отходов



- Это устройство не является бытовым мусором. Утилизация устройства должна осуществляться в рамках национального законодательства в соответствии с директивой Европейского Союза.
- Получите информацию об утилизации отходов вашего использованного оборудования у вашего дилера и компетентных лиц.

ФОРМА ГАРАНТИИ



Пожалуйста, посетите наш сайт www.magmaweld.ru/гарантийный-малон/wr для формы гарантии.

ТЕХНИЧЕСКАЯ ИНФОРМАЦИЯ

1.1 Общее описание

Монофазные портативные сварочные аппараты инверторного типа Monotig 160i и Monotig 200i предназначены для TIG-сварки постоянным током и сварки покрытым электродом. Предназначены для TIG-сварки всех видов металлов, за исключением алюминия, и сварки покрытым электродом диаметром до 4 мм. Сварочный ток, продолжительность и установленные параметры программ отображаются на цифровом экране. Monotig 160i и Monotig 200i, предназначены для работы от сетевого электропитания в диапазоне напряжений 160 В - 240 В при частоте 50/60 Гц, не подвержен влиянию колебаний сетевого напряжения и может превосходно работать от генератора. Сварочные аппараты Monotig 160i и Monotig 200i могут использоваться со сварочным кабелем длиной до 25 м. В аппарате предусмотрено охлаждение от вентилятора и термическая защита от чрезмерного перегрева.

RU

1.2 Комплектующие сварочного аппарата

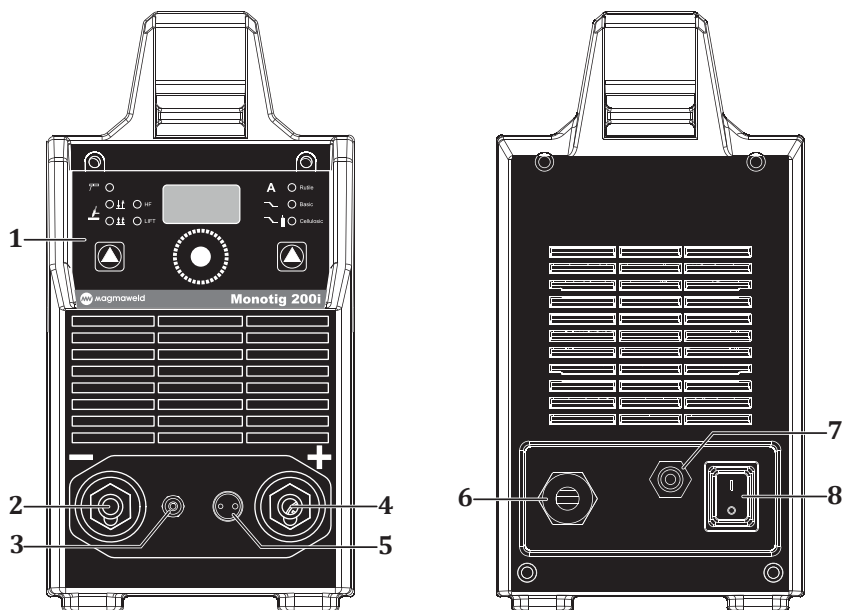


Рисунок 1 : Вид Спереди И Сзади

- | | |
|---|--------------------------------|
| 1- Панель управления | 5- Гнездо управления триггером |
| 2- Гнездо кабеля источника и заземления (-) | 6- Ввод кабеля питания |
| 3- Выход газа | 7- Вход газа |
| 4- Гнездо кабеля источника и заземления (+) | 8- Кнопка включения/выключения |

1.3 Этикетка продукта

MAGMA MEKATRONIK MAKİNE SAN. VE TİC. A.Ş. Organize Sanayi Bölgesi 5.Kısım Manisa-TÜRKİYE			
MONOTIG 160i		S/N:	
		EN 60974-1/-10 Cl. A	
		5A / 10.2V - 160A / 16.4V	
	U ₀ =65V	X ^(40°C)	30% 60% 100%
		I ₂	160A 113A 88A
		U ₂	16.4V 14.5V 13.5V
	U _i =230V	I _{imax} =21.8A	I _{ieff} =12A
		5A / 20.2V - 160A / 26.4V	
	U ₀ =65V	X ^(40°C)	20% 60% 100%
		I ₂	160A 92A 72A
		U ₂	26.4V 23.7V 22.9V
	U _i =230V	I _{imax} =32.2A	I _{ieff} =14.5A
IP23		CE	ERC
		UK	CA

MAGMA MEKATRONIK MAKİNE SAN. VE TİC. A.Ş. Organize Sanayi Bölgesi 5.Kısım Manisa-TÜRKİYE			
MONOTIG 200i		S/N:	
		EN 60974-1/-10 Cl. A	
		5A / 10.2V - 200A / 18V	
	U ₀ =65V	X ^(40°C)	25% 60% 100%
		I ₂	200A 129A 100A
		U ₂	18V 15.2V 14V
	U _i =230V	I _{imax} =29.1A	I _{ieff} =14.6A
		5A / 20.2V - 200A / 28V	
	U ₀ =65V	X ^(40°C)	14% 60% 100%
		I ₂	200A 97A 75A
		U ₂	28V 23.9V 23V
	U _i =230V	I _{imax} =41.5A	I _{ieff} =15.6A
IP23		CE	ERC
		UK	CA

Однофазный Трансформатор - Выпрямитель



TIG - Сварка



MMA - Сварка



Постоянный Ток



Вертикальный характеристика



Сетевой Вход-1-Фазный Переменный Ток



Пригоден Для Работы В Опасных Условиях

X Рабочий Цикл

U₀ Напряжение Работы Без Нагрузки

U₁ Напряжение И Частота Сети

U₂ Номинальное Напряжение Сварочного Тока

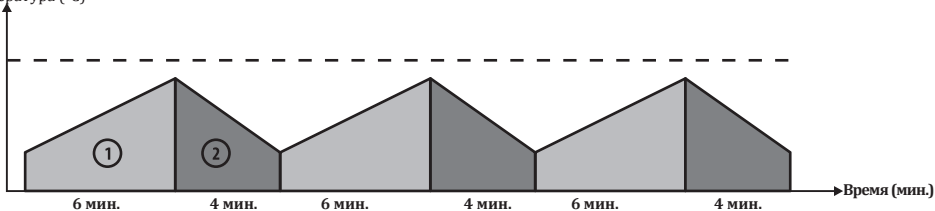
I₁ Номинальное Потребление Тока Сети

I₂ Номинальный Сварочный Ток

S₁ Потребляемая Мощность Сети

IP23S Класс Защиты

Рабочий цикл
Температура (°C)



Согласно стандарту EN 60974-1, продолжительность рабочего цикла включает период времени 10 минут. Например, если машина, указанная как 250A при% 60, должна работать при 250A, машина может выполнять сварку / резку без перерыва в первые 6 минут из 10-минутного периода (зона 1). Тем не менее, следующие 4 минуты следует оставить без нагрузки для охлаждения машины (зона 2).

1.4 Технические характеристики

ТЕХНИЧЕСКИЕ ХАРАКТЕРИСТИКИ	Ед. изм.	monoTIG 160i	monoTIG 200i
Сетевое Напряжение (1 фаза - 50-60 Гц)	V	230	230
Входная Мощность (ММА)	kVA	7.41 (%30)	9.55 (%25)
Входная Мощность (TIG)	kVA	5.01 (%30)	6.69 (%25)
Диапазон Настройки Сварочного Тока	ADC	5 - 160	5 - 200
Номинальный сварочный ток	ADC	160 (%30)	200 (%25)
Напряжение открытого контура сварки	VDC	65	65
Диапазон диаметров сварочных электродов	mm	1.60 - 3.25	2.00 - 4.00
Диапазон диаметров вольфрамовых электродов	mm	1.20 - 2.40	1.00 - 2.40
Размеры (ДхШхВ)	mm	520 x 160 x 312	520 x 160 x 312
Вес	kg	9.5	10
Класс защиты		IP 23S	IP 23S

1.5 Вспомогательные устройства и приспособления

СТАНДАРТНЫЕ АКСЕССУАРЫ	КОЛ-ВО	monoTIG 160i	monoTIG 200i
Клемма и кабель заземления	1	7905212503 (25 mm ² - 3 m)	7905212503 (25 mm ² - 3 m)
Газовый шланг	1	7907000002	7907000002
Горелка (с воздушным охлаждением, 4 м)	1	7110018004	7110018004
ДОПОЛНИТЕЛЬНЫЕ АКСЕССУАРЫ	КОЛ-ВО	monoTIG 160i	monoTIG 200i
Зажим электрода и кабель	1	7906201603	7910005200
Блок водяного охлаждения (CSP 40)	1	7910005200	7020001004
Газовый регулятор	1	7020001004	7110018004
Горелка TIG Lava TIG 26 (8 м) с воздушным охлаждением	1	7110018008	7110018008
Горелка TIG Lava TIG 18 Вт (4 м) с водяным охлаждением	1	7110038004	7110038004
Горелка TIG Lava TIG 18 Вт (8 м) с водяным охлаждением	1	7110038008	7110038008
Набор принадлежностей для сварки TIG с воздушным охлаждением (горелка + регулятор)	1	7910000510	7910000510
Набор принадлежностей для сварки TIG с водяным охлаждением (горелка + регулятор)	1	7910000530	7910000530
Ножная педаль (Вкл. / Выкл.)	1	7910000130	7910000130
Тележка	1	7910000100	7910000100

ИНФОРМАЦИЯ ПО УСТАНОВКЕ И НАСТРОЙКЕ

2.1 Контроль доставки

Убедитесь, что вместе со сварочным аппаратом доставлены все заказанные материалы. В случае отсутствия или повреждения какого-либо материала, немедленно свяжитесь с компанией, у которой был приобретен сварочный аппарат.

Стандартная комплектация сварочного аппарата содержит следующее:

- Главный корпус сварочного аппарата и сетевой кабель, подключенный к аппарату
- Клемма и кабель заземления
- Гарантийный талон
- Руководство по эксплуатации

В случае если во время получения аппарата будут выявлены повреждения, составьте протокол и сфотографируйте повреждения. Приложите протокол и фотографии к фотокопии накладной и известите транспортную компанию. В случае отсутствия ответа на ваше обращение в транспортную компанию, обратитесь в службу поддержки клиентов.

Символы и обозначения, установленные на сварочном аппарате:



Процесс сварки представляет опасность для человека и окружающих предметов. Выполнение сварки должно осуществляться в соответствующих условиях с принятием необходимых мер безопасности. Ответственность за сохранность и исправность сварочного аппарата, обеспечение необходимого оснащения возлагается на специалистов. Предупредите нахождение посторонних людей вблизи сварочного аппарата.



Данный сварочный аппарат не соответствует стандарту IEC 61000-3-12. В случае если сварочный аппарат будет подключён к сети низкого напряжения, используемого для электроснабжения жилых помещений, пользователь несёт полную ответственность за обеспечение выполнения работ подключения электрических соединений сварочного аппарата электротехником или пользователем аппарата, имеющим знания и навыки по вопросам подключения сварочного аппарата.



Будьте внимательны и строго соблюдайте все символы и предупреждения безопасности, установленные на сварочном аппарате и указанные в Руководстве по эксплуатации. Запрещается удалять этикетки, установленные на сварочном аппарате.



Решётки предназначены для обеспечения вентиляции внутренних частей сварочного аппарата. С целью обеспечения хорошего охлаждения, запрещается закрывать доступ к открытым частям аппарата и размещать инородные предметы внутрь корпуса устройства.

2.2 Рекомендации по установке и эксплуатации

- Для перемещения машины следует использовать подъемные кольца или вилочные погрузчики. Не поднимайте машину с газовым баллоном. При переноске портативных сварочных аппаратов вручную необходимо соблюдать правила техники безопасности и охраны труда. На рабочем месте должны быть приняты необходимые меры для обеспечения того, чтобы процесс транспортировки осуществлялся в максимально возможном соответствии с условиями охраны труда и техники безопасности. Меры предосторожности следует принимать в соответствии с характеристиками рабочей среды и требованиями работы. Установите машину на твердую, ровную и гладкую поверхность, где она не упадет и не опрокинется.
- При работе в среде с температурой воздуха выше 40°C, выполняйте работы на сварочном аппарате при более низком сварочном токе или при более низком уровне продолжительности включения.
- Избегайте выполнения сварочных работ вне помещений при ветре или дожде. Если необходимо выполнение сварочных работ при таких погодных условиях, обеспечьте защиту сварочной зоны и сварочного аппарата завесой или тентом. Если сварка выполняется внутри помещения, обеспечьте достаточную систему вытяжки сварочного дыма. При выполнении сварки в закрытых помещениях, в связи с риском вдыхания сварочного дыма и газов, используйте респираторные системы.
- Соблюдайте уровень продолжительности включения сварочного аппарата, указанного на заводской табличке устройства. Частое превышение времени работы под нагрузкой может стать причиной повреждения сварочного аппарата и аннулирования гарантийного срока.

- Используйте предохранитель с характеристиками, подходящими для вашей системы.
- Подключите заземляющий кабель по мере возможности ближе к зоне сварки.
- Не допускайте прохождение сварочного тока по оборудованию, за исключением сварочных кабелей.
- Закрепите газовый баллон на стене с помощью цепи.
- Во время работы сварочного аппарата не наматывайте сварочные кабели и сетевой кабель на корпус сварочного аппарата.

2.3 Соединения для сварки TIG

2.3.1 Подсоедините аппарат к сети и включите



Перед подключением сварочного аппарата к сети, в первую очередь, проверьте наличие соответствующего напряжения сети.

- Переведите машину в положение “ВЫКЛ.” “0” и вставьте вилку в розетку.
- ВКЛЮЧИТЕ машину с помощью выключателя питания. Обратите внимание, что сам переключатель и светодиодные индикаторы на передней панели светятся, также вы должны слышать звук вентилятора кулера.

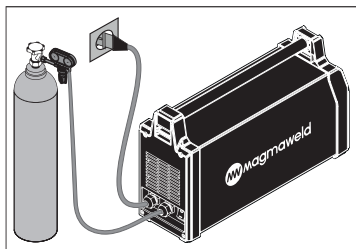
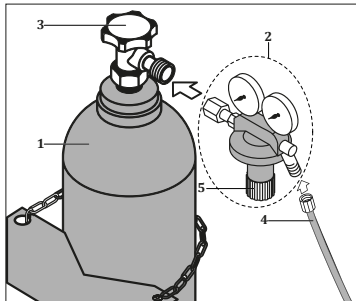


Рисунок 2 : Подключение газа и сети

2.3.2 Газовые соединения

- Прикрепите газовый баллон к стене цепью. Для обеспечения безопасности и получения наилучших результатов используйте утвержденные регуляторы.
- Откройте вентиль газового баллона несколько раз, чтобы удалить возможную грязь или частицы.
- Подсоедините газовый регулятор к баллону, убедитесь, что резьба выхода газа баллона и гайки регулятора совпадают.
- Подсоедините один конец газового шланга к регулятору газа, а другой конец - к входному отверстию подачи газа. Откройте вентиль газового баллона.



- Установите количество газа с помощью клапана регулировки давления.
- Убедитесь, что нет утечки газа из каких-либо соединений.

Диаметр электрода (мм)	Диаметр сопла (мм)	Сварочный ток (ADC)	Дебет газа (л / мин)
1.0	6.3	30-70	6-8
1.6	9.5	30-150	6-8

Рисунок 3: Газовый баллон - Регулятор - Шланговые соединения

2.3.3 Подготовка подключений резака

Подключение горелки TIG через адаптер для горелки CX79 TIG

- Проденьте гайку резака через пластиковый корпус и плотно прикрутите к вилке резака. Затем вставьте вилку резака в пластиковый корпус.
- Пропустите переходник газового шланга L-образной формы через отверстие в пластиковом корпусе и плотно прикрутите его к розетке.
- Плотно подсоедините газовый шланг к угловому штуцеру с помощью зажима.
- Установите штыри разъема на кабели управления резака.

2.3.4 Подключения резака

- Вставьте вилку горелки TIG в сварочный патрубок отрицательного полюса и затяните, повернув вправо. Присоедините разъем пускового курка резака, поставляемый с аппаратом, к тросам управления пусковым механизмом резака. Затем подключите разъем к разъему управления спусковым крючком.
- Подсоедините газовый шланг горелки к выходу газа.
- В моделях с водяным охлаждением подсоедините холодный “синий” шланг резака к выпускному отверстию для холодной воды на машине, а горячий “красный” шланг - к впускному отверстию для горячей воды на машине.

2.3.5 Зажимы заземления

- Плотно подсоедините штекер заземляющего кабеля к плюсовому сварочному разъему.
- Для повышения качества сварки плотно подсоедините зажим заземления к заготовке как можно ближе к зоне сварки.

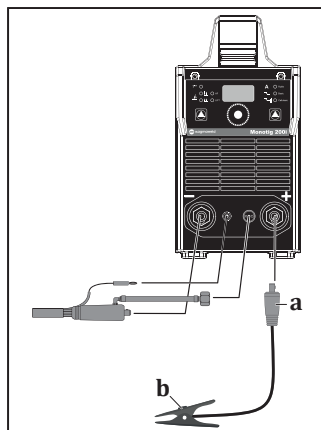


Рисунок 4 : Соединения для сварки TIG

2.3.6 Замена вольфрамового электрода

- Отвинтите зажимной колпачок.
- Снимите имеющийся вольфрамовый электрод с цанги и вставьте новый электрод.
- Вставьте цангу в резак.
- Плотно закрутите зажимную крышку.
- Диаметр керамического газового сопла и вольфрамового электрода следует выбирать в соответствии с рабочим током и формой заготовки. Поэтому цанга, корпус цанги должны соответствовать диаметру вольфрамового электрода.

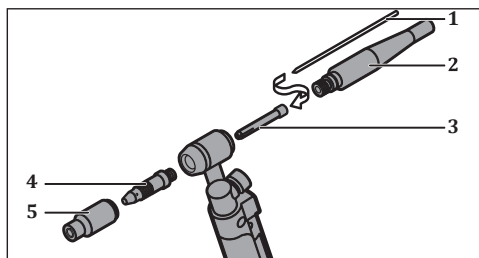
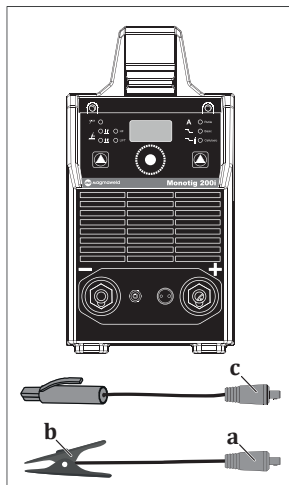


Рисунок 5 : Замена вольфрамового электрода

2.4 Соединения для сварки ММА

- Включите машину, следуя инструкциям.
- Вставьте кабель электрододержателя и кабель заземляющего зажима в соответствии с полярностью используемого электрода. вставьте вилки в соответствующие гнезда и затяните их, повернув по часовой стрелке.
- Плотно подсоедините зажим заземления к заготовке как можно ближе к зоне сварки.
- Отрегулируйте желаемый ток, и аппарат готов к сварке.
- Таблица ниже дана в качестве справочной для регулировки тока электродов из мягкой стали, пожалуйста, обратитесь к рекомендациям производителя электродов.

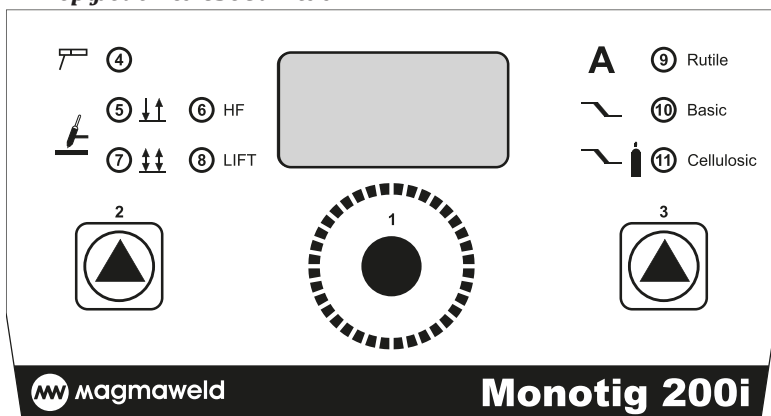


Диаметр покрытого электрода (мм)	Рекомендуемый сварочный ток		
	Рутит	Базовый	Целлюлозный
2.0	40-60 А	-	-
2.5	60-90 А	60-90 А	60-100 А
3.25	100-140 А	100-130 А	70-130 А
4.0	140-180 А	140-180 А	120-170 А

Рисунок 6 : Соединения для сварки ММА

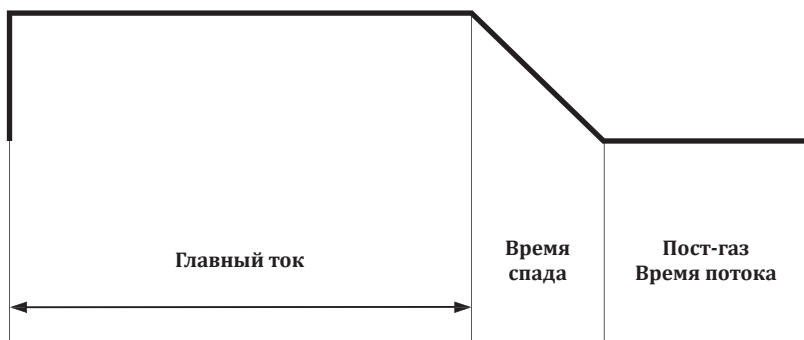
ИНФОРМАЦИЯ ПО ЭКСПЛУАТАЦИИ

3.1 Интерфейс пользователя



1	Ручка регулятора настроек Используется для увеличения или уменьшения выбранного параметра.
2	Кнопка выбора режима сварки Используется для выбора одного из режимов сварки: сварка покрытым электродом, TIG-сварка с высокочастотным поджигом дуги (HF) и TIG-сварка с поджигом дуги касанием электрода.
3	Кнопка выбора продолжительности сварки, типа газа и электрода
4	Светодиод режима MMA (ручная дуговая сварка штучными электродами) Активизирует режим сварки покрытым электродом
5	Светодиод 2-тактного режима работы триггера горелки При нажатии на триггер сварочный процесс начинается. При отпускании триггера сварка закончится.
6	Высокочастотный поджиг дуги (HF) В этом режиме поджиг дуги происходит при приближении электрода к рабочей заготовке без касания при помощи высокочастотного разряда в среде газа.
7	Светодиод 4-тактного режима работы триггера горелки Нажатием и отпусканием триггера возникает розжиг души и начинается сварочный процесс. Если повторно нажать и отпустить триггер, сварка закончится.
8	Розжиг дуги При включенном триггере горелки розжиг дуги выполняется путем касания электродом рабочей заготовки.
	Когда горит светодиод № 9 и аппарат находится в режиме TIG, он уменьшает или увеличивает сварочный ток с помощью потенциометра № 1. Когда горит светодиод 10 и машина находится в режиме TIG, время торможения в конце устанавливается с помощью потенциометра 1. Если аппарат находится в режиме TIG, когда вы нажимаете и удерживаете 1-ю кастрюлю, открывается настройка предварительной подачи газа. Поворачивая горшок 1 вправо и влево, параметр переднего газа регулируется, нажмите горшок 1 еще раз, чтобы выйти из режима настройки. Когда горит светодиод № 11 и аппарат находится в режиме TIG, параметр последнего газа устанавливается с помощью емкости №. Когда режим сварки 4 покрытым электродом выбран с помощью клавиши 2, выбор электрода с 9 единицами рутила, 10 без основного, 11 без целлюлозного электрода регулируется с помощью кнопки 3.

3.2 Цикл TIG



3.3 Структура меню

Состояния включения или выключения функций в зависимости от режима следующие.

Параметр	Диапазон	Заводские настройки	ВБЛ	Сварка MMA	2-тактный TIG	4-тактный TIG	Точечная сварка TIG
					DC	DC	DC
Главный ток	5-200 А	80 А	19	✓	✓	✓	✓
Время спада	0-10 сек	1 сек	23		✓	✓	
Пост-газ Время потока	0-20 сек	2 сек	25		✓	✓	

3.3.1 Процесс сварки TIG



В режиме HF Start TIG на горелке присутствует высокое напряжение зажигания. Никогда не дотрагивайтесь до вольфрамового электрода или деталей, проводящих сварочный ток, когда аппарат включен.

- 10 программ заданий, включая полные настройки параметров, могут быть сохранены и запущены для повторяющихся заданий.
- При первом использовании все параметры всех программ имеют заводские настройки, которые показаны в таблице.
- Нажмите кнопку выбора программы. Для выбора ранее настроенной программы или изменения ее параметров.
- Нажмите кнопку выбора режима сварки, чтобы выбрать Touch-Lift TIG для HF start TIG.
- Нажмите кнопку выбора «2-тактный - 4-тактный - точечная сварка», чтобы выбрать соответствующий режим работы.
- Последние настроенные значения параметров будут сохранены автоматически. Больше ничего делать для сохранения настроек не нужно.

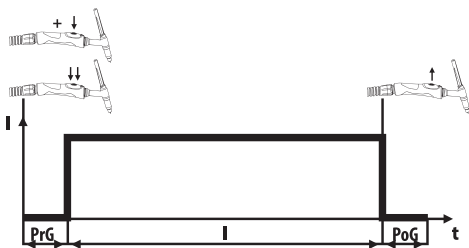
Диаметр электрода “мм”	Рекомендуемый сварочный ток TIG “А”
1.6	30-130
2.0	45-180
2.4	70-240

3.3.2 Использование режимов TIG-сварки

2 тактный режим TIG-сварки

Если нажать и удерживать триггер горелки после подачи предварительного газа возникнет начальный ток и в течение периода увеличения силы тока, ток увеличится до верхнего значения сварочного тока. До тех, пока триггер будет находиться в нажатом состоянии, сварочный процесс будет продолжаться при верхних значениях сварочного тока.

После отпускания триггера сила тока будет снижаться в течение времени конечного тока и снизится до установленного значения конечного тока. После этого система выполнит продувку газа в конце сварки.



PrG : Время предварительной продувки газа

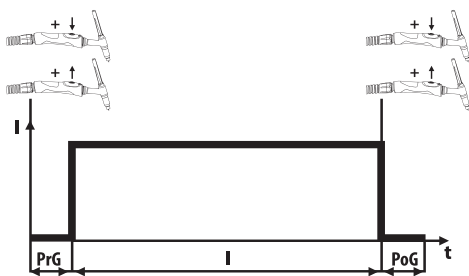
I : Сварочный ток

PoG : Время конечной продувки газа

4 тактный режим TIG-сварки

Если нажать и удерживать триггер горелки, после подачи предварительного газа возникнет начальный ток и в течение периода увеличения силы тока, ток увеличится до верхнего значения сварочного тока. В режиме сварки при постоянном токе (DC) сварка выполняется при верхнем значении сварочного тока, в режиме импульсной сварки при постоянном токе (DC PULSE) сварка будет выполняться при выбранной частоте колебаний между верхним и нижним значением сварочного тока. Если нажать и удерживать триггер в течение некоторого времени более 1 сек., после отпускания триггера сварочный ток начнет снижаться в течение установленного времени и снизится до силы конечного тока. Вслед за этим будет выполнена продувка газа в конце сварки.

Во время сварки нижние значения тока, как правило, используются для ремонта или легкого охлаждения сварочного шва, в конце сварки - для заполнения и конечной заварки кратера. Если в конце сварки нажать на триггер горелки в течение менее 1 сек., (в режиме сварки при постоянном токе (DC) и в режиме импульсной сварки (PULSE DC)), сварочный ток переключится на нижнее значение и можно выполнять заполнение кратера; если нажать на триггер в течение некоторого времени более 1 сек., сварочный ток начнет снижаться с нижнего значения до значения конечного тока в течение установленного времени. Конечный ток предназначен для обеспечения контролируемого охлаждения мест окончания сварки и устранения риска образования трещин.



PrG : Время предварительной продувки газа

I : Сварочный ток

PoG : Время конечной продувки газа

■ 3.3.3 Метод сварки покрытым электродом

Нажмите и удерживайте кнопку выбора режима сварки до тех пор, пока не загорится светодиод режима сварки покрытым электродом. При помощи кнопки выбора типа электрода, выберите тип электрода, который будет использоваться для выполнения сварочных работ. В режиме сварки покрытым электродом номера программ сварочных процессов и параметры сварки не активируются. В этом режиме активен только светодиод сварочного тока. При помощи ручки настройки параметров установите значение сварочного тока.

RU



ТЕХОБСЛУЖИВАНИЕ И УСТРАНЕНИЕ НЕИСПРАВНОСТЕЙ

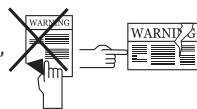
- Техобслуживание и ремонт сварочного аппарата должны выполняться только квалифицированными специалистами. Компания не несёт ответственности в связи с аварийными ситуациями, возникающими в результате выполнения техобслуживания и ремонта лицами без соответствующей квалификации.
- Запасные части, используемые во время ремонта, можно приобрести в авторизованных техслужбах. Использование оригинальных запасных частей обеспечит продление срока эксплуатации и предупредит снижение рабочих показателей сварочного аппарата.
- Обращайтесь только к производителю или в авторизованные техслужбы, указанные производителем.
- В течение гарантийного срока выполнение любых вмешательств в конструкцию сварочного аппарата без предварительного согласия производителя может стать причиной аннулирования всех гарантийных обязательств производителя.
- Во время выполнения любых процедур техобслуживания и ремонта обязательно соблюдайте правила техники безопасности.
- Перед началом выполнения любых видов процедур техобслуживания или ремонта отсоедините вилку сетевого кабеля сварочного аппарата и выждите 10 секунд для разряда напряжения на конденсаторах.

4.1 Техобслуживание



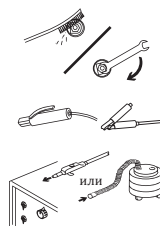
Ежедневное техобслуживание

- Проверьте горелку, зажимы и кабели. Обратите внимание на состояние и прочность соединений частей. Повреждённые/неисправные части замените на новые. Категорически запрещается выполнять ремонт/удлинение кабеля.
- Убедитесь, что имеется достаточная площадь для обеспечения вентиляции.
- Регулярно выполняйте очистку расходных деталей TIG-горелки. Если необходимо, замените. Для обеспечения продолжительного срока службы расходных деталей, обратите внимание, чтобы использовались оригинальные расходные материалы.
- Перед началом сварки проверьте расходомером скорость расхода газа на конце горелки. Если расход газа высокий или низкий, установите уровень расхода в соответствии со сварочным процессом.



Один раз в 6 месяцев

- Запрещается удалять этикетки с поверхности сварочного аппарата. Изношенные/повреждённые этикетки замените на новые. Этикетки можно приобрести в авторизованных техслужбах.
- Очистите и зажмите соединительные элементы, такие как гайки и болты.
- Проверьте кабели электрододержателя и клеммы заземления.
- Откройте боковые крышки сварочного аппарата и очистите внутреннюю часть при помощи сухого воздуха под низким давлением. Не используйте воздух под давлением на близком расстоянии от электрических соединений.
- Проверьте розетку подсоединения вилки электрического кабеля питания сварочного аппарата. В точках подсоединения электрического кабеля питания к розетке устраните места ослабления соединений, если имеются. Если в гнездах розетки имеются следы воздействия электрической дуги или расширение гнезд, замените розетку на новую.



- Проверьте вилку электрического кабеля питания сварочного аппарата. В точках подсоединения электрического кабеля питания к вилке устраните места ослабления соединений, если имеются. Если на штырях вилки имеются следы воздействия электрической дуги или деформации, замените вилку на новую.

ПРИМЕЧАНИЕ: Указанная выше периодичность означает максимальные периоды, которые следует соблюдать в случае если ваше устройство не имеет каких-либо проблем. Вышеперечисленные процедуры техобслуживания должны выполняться через более короткие периоды времени, в зависимости от интенсивности режима работы аппарата и степени загрязнения рабочей среды.



Категорически запрещается выполнять сварочные работы при демонтированных крышках корпуса сварочного аппарата.

4.2 Устранение неисправностей

- Горит светодиод термической неисправности и аппарат не выполняет сварку: Аппарат перегрет и сработала защита термостата. Вероятными причинами являются перегрев аппарата в результате продолжительного выполнения сварки при высокой температуре окружающего воздуха или при высоких значениях силы тока. На некоторое время оставьте включенным аппарат, вентилятор выполнит охлаждение аппарата. Продолжайте сварку после охлаждения аппарата и погасания светодиода термической неисправности.
- Вентилятор работает, горит светодиод кнопки вкл./выкл. и аппарат не выполняет сварку. Выключите аппарат и повторно включите через 1 минуту, повторно попробуйте начать сварку. Если сварка не выполняется, обратитесь в техслужбу.

4.3 Коды неисправностей

В приведенном ниже списке указаны все коды ошибок сварочных аппаратов. Учитывайте коды ошибок, относящиеся к вашему сварочному аппарату.

Код неисправности	Неисправность	Причина	Устранение
E01	Тепловая защита (Начальный)	<ul style="list-style-type: none"> • Время безотказной работы вашей машины могло быть превышено 	<ul style="list-style-type: none"> • Дайте машине остыть, немного подождите. Если неисправность исчезнет, попробуйте использовать его при более низких значениях силы тока • Если проблема не исчезнет, обратитесь в авторизованный сервисный центр
		<ul style="list-style-type: none"> • Вентилятор может не работать 	<ul style="list-style-type: none"> • Визуально проверьте, работает вентилятор или нет • Если проблема не исчезнет, обратитесь в авторизованный сервисный центр
		<ul style="list-style-type: none"> • Передняя часть каналов впуска и выпуска воздуха может быть заблокирована 	<ul style="list-style-type: none"> • Откройте воздухопроводы • Если проблема не исчезнет, обратитесь в авторизованный сервисный центр
		<ul style="list-style-type: none"> • Рабочая среда машины может быть очень жаркой или душной 	<ul style="list-style-type: none"> • Убедитесь, что рабочая среда машины не слишком жаркая или душная • Если проблема не исчезнет, обратитесь в авторизованный сервисный центр

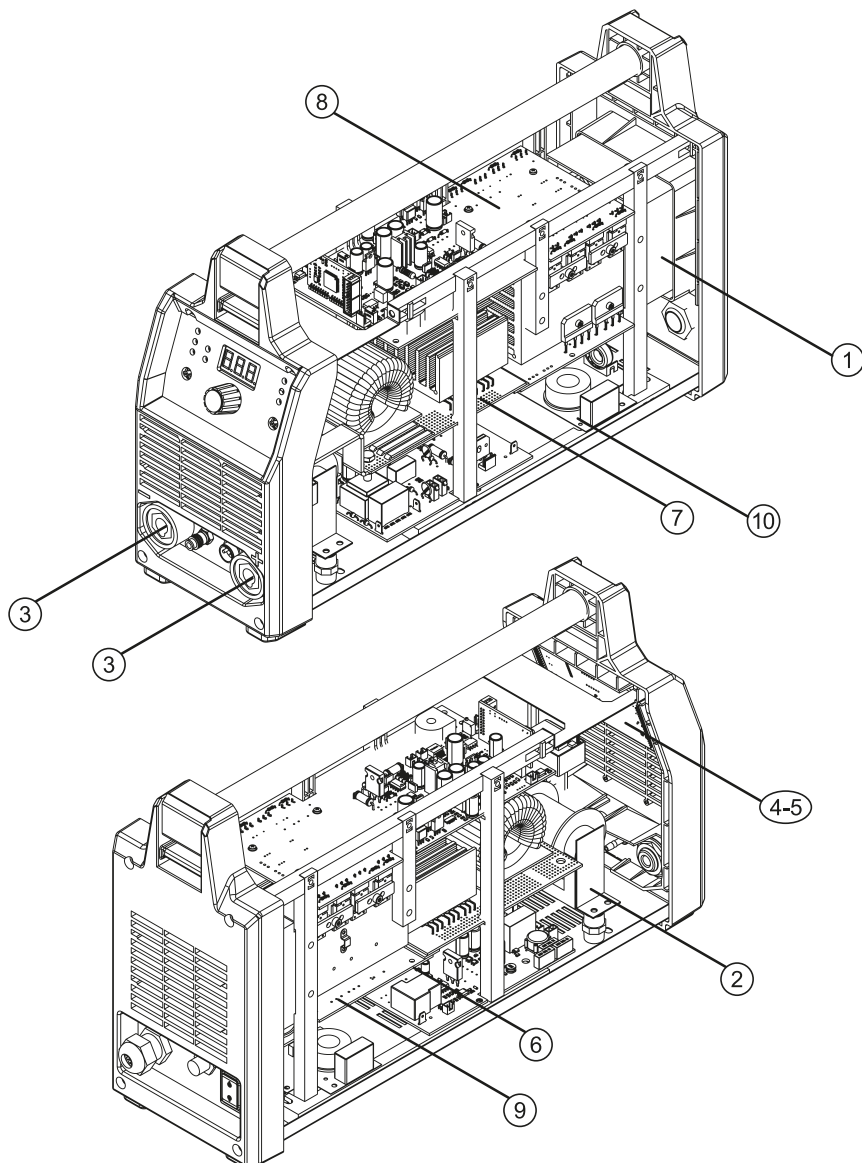
Код неисправности	Неисправность	Причина	Устранение
E02	Низкое напряжение сети	<ul style="list-style-type: none">Возможно, упало сетевое напряжение	<ul style="list-style-type: none">Проверьте кабели подключения к сети и напряжение. Убедитесь, что подано правильное входное напряжение. Если сетевое напряжение в норме, обратитесь в авторизованный сервисный центр
E03	Напряжение сети высокое	<ul style="list-style-type: none">Возможно, напряжение в сети увеличилось	<ul style="list-style-type: none">Проверьте кабели подключения к сети и напряжение. Убедитесь, что подано правильное входное напряжение. Если сетевое напряжение в норме, обратитесь в авторизованный сервисный центр

RU



ПРИЛОЖЕНИЕ

5.1 Список запасных частей



RU

5.1 Список запасных частей

№	ОПИСАНИЕ	monoTIG 160i
1	Компактный вентилятор	A250200026
2	ВЧ дроссель	A366700008
	Датчик Холла 300А	A834000001
3	Гнездо сварочного кабеля	A377900104
4	Электронная плата E505A-1	K405000186
5	Электронная плата E505A-2	K405000187
6	Электронная плата E505A-3	K405000185
7	Электронная плата E203A PWR/200TIG	K405000176
8	Электронная плата M.TIG 200I E204A-GR	K405000191
9	Электронная плата E203A AC PWR	K405000226
10	Электронная плата E201B-FLT TIG/	K405000295

RU

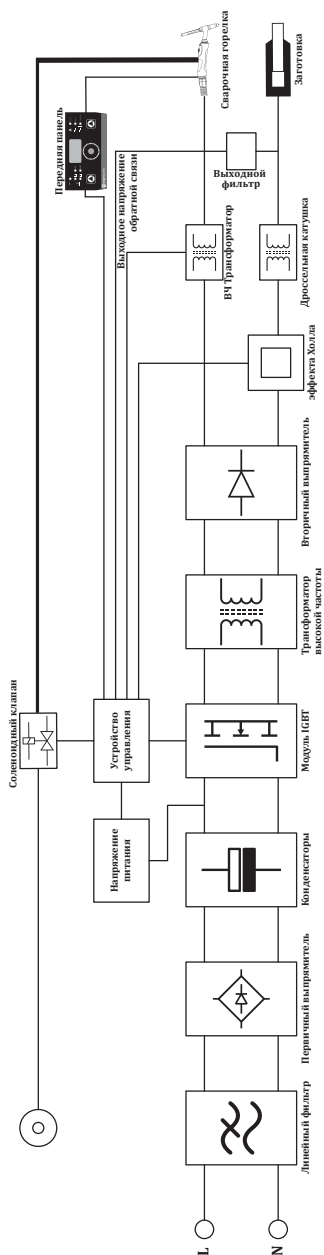
5.1 Список запасных частей

№	ОПИСАНИЕ	monoTIG 200i
1	Компактный вентилятор	A250200026
2	ВЧ дроссель	A366700008
	Датчик Холла 300А	A834000001
3	Гнездо сварочного кабеля	A377900104
4	Электронная плата E505A-1	K405000186
5	Электронная плата E505A-2	K405000187
6	Электронная плата E505A-3	K405000185
7	Электронная плата E203A PWR/200TIG	K405000176
8	Электронная плата M.TIG 200I E204A-GR	K405000191
9	Электронная плата E203A AC PWR	K405000226
10	Электронная плата E201B-FLT TIG/	K405000295

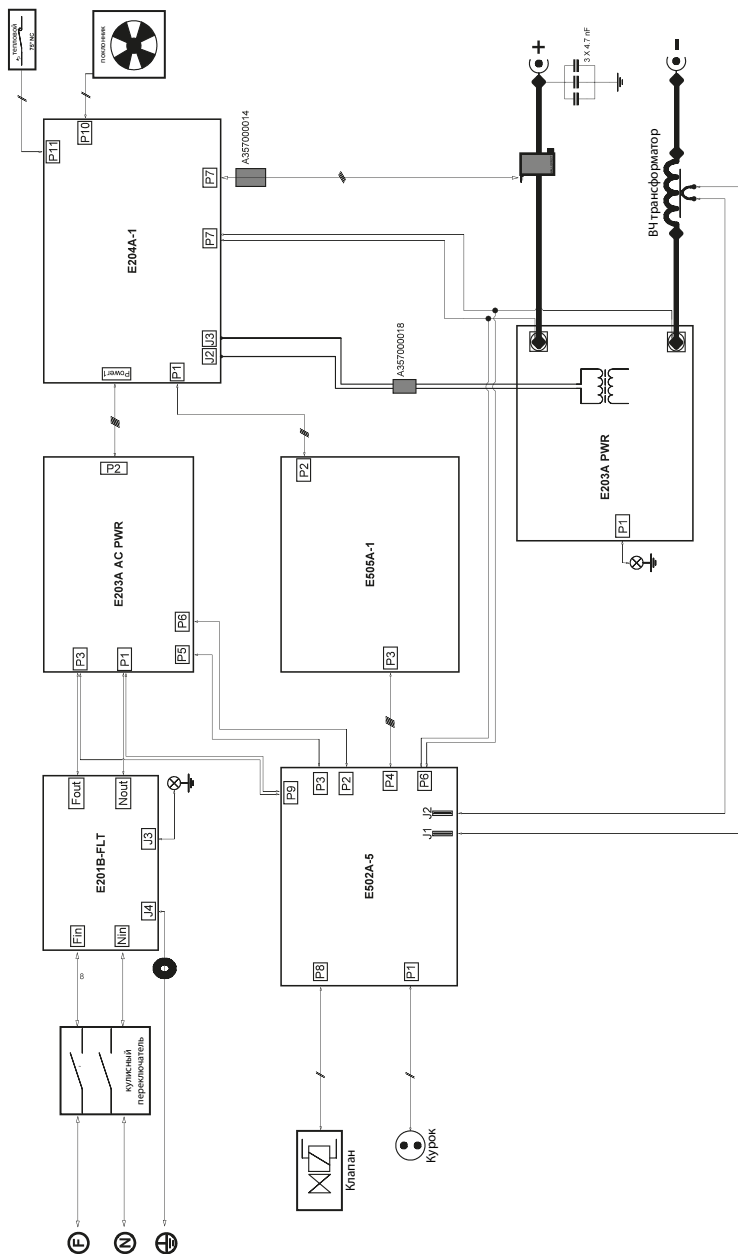
RU

5.2 Схемы подключения

Блок-схема



Электрическая схема



ИНФОРМАЦИЯ О ТОВАРЕ

Модель	
Серийный номер	

ПРОИЗВОДИТЕЛЬ

Имя	MAGMA MEKATRONİK MAKİNE SANAYİ VE TİCARET A.Ş.
Адрес	Organize Sanayi Bölgesi 5. Kısım MANİSA
Телефон / Электронная почта	+90 236 226 27 00 / info@magmaWeld.com

ИНФОРМАЦИЯ О ПОКУПКЕ

Имя дилера	
Город / Страна	
Телефон / Электронная почта	
Дата покупки	

ИНФОРМАЦИЯ О КЛИЕНТЕ

Название компании	
Город / Страна	
Телефон / Электронная почта	
Имя контакта	

СЕРВИСНАЯ ИНФОРМАЦИЯ (если применимо)

Название компании	
Имя техника	
Дата сдачи (дата начала гарантии)	



Пожалуйста, посетите наш веб-сайт www.magmaWeld.ru/условия-гарантии/wt чтобы ознакомиться с условиями гарантии.

İÇİNDEKİLER

	GÜVENLİK KURALLARI	90
1	TEKNİK BİLGİLER	
1.1	Genel Açıklamalar	96
1.2	Makine Bileşenleri	96
1.3	Ürün Etiketi	97
1.4	Teknik Özellikler	98
1.5	Aksesuarlar	98
2	KURULUM BİLGİLERİ	
2.1	Teslim Alırken Dikkat Edilecek Hususlar	99
2.2	Kurulum ve Çalışma Tavsiyeleri	99
2.3	TIG Kaynağı İçin Bağlantılar	100
2.3.1	Makineyi Şebekeye Bağlayın ve Çalıştırın	100
2.3.2	Gaz Bağlantıları	100
2.3.3	Torç Bağlantılarını Hazırlama	101
2.3.4	Torç Bağlantıları	101
2.3.5	Topraklama Pensesi Bağlantıları	101
2.3.6	Tungsten Elektrodu Değiştirme	102
2.4	Örtülü Elektrod Kaynağı İçin Bağlantılar	102
3	KULLANIM BİLGİLERİ	
3.1	Kullanıcı Arayüzü	103
3.2	TIG Eğrisi	104
3.3	Menü Yapısı	104
3.3.1	TIG Kaynağı Yöntemi	104
3.3.2	TIG Kaynağı Tetik Modlarının Kullanımı	105
3.3.3	Örtülü Elektrod Kaynağı Yöntemi	105
4	BAKIM VE ARIZA BİLGİLERİ	
4.1	Bakım	106
4.2	Hata Giderme	107
4.3	Hata Kodları	107
5	EKLER	
5.1	Yedek Parça Listesi	108
5.2	Bağlantı Şemaları	111

✓ GÜVENLİK KURALLARI

Kılavuzda Yer Alan Tüm Güvenlik Kurallarına Uyun!

Güvenlik Bilgilerinin Tanınması



- Kılavuzda yer alan güvenlik sembolleri potansiyel tehlikelerin tanımlanmasında kullanılır.
- Bu kılavuzda herhangi bir güvenlik sembolü görüldüğünde, bir yaralanma riski olduğu anlaşılmalı ve takip eden açıklamalar dikkatlice okunarak olası tehlikeler engellenmelidir.
- Makine sahibi, yetkisiz kişilerin ekipmana erişmesini engellemekten sorumludur.
- Makineyi kullanan kişiler kaynak / kesme konusunda deneyimli veya tam eğitilmiş kişiler olup, çalışma öncesinde kullanma kılavuzunu okumalı ve güvenlik uyarılarına uymalıdır.

Güvenlik Sembollerinin Tanınması



DİKKAT

Yaralanma ya da hasara neden olabilecek potansiyel tehlikeli bir durumu belirtir. Önlem alınmaması durumunda yaralanmalara veya maddi kayıplara / hasarlara neden olabilir.



ÖNEMLİ

Kullanıma yönelik bilgilendirmeleri ve uyarıları belirtir.



TEHLİKE

Ciddi tehlike olduğunu gösterir. Kaçınılması durumunda ölüm veya ağır yaralanmalar meydana gelebilir.

Güvenlik Uyarılarının Kavranması



- Kullanım kılavuzunu, makine üzerindeki etiket ve güvenlik uyarılarını dikkatli bir şekilde okuyunuz.
- Makine üzerindeki uyarı etiketlerinin iyi durumda olduğundan emin olunuz. Eksik ve hasarlı etiketleri değiştiriniz.
- Makinenin nasıl çalıştırıldığını, kontrollerinin doğru bir şekilde nasıl yapılacağını öğreniniz.
- Makinenizi uygun çalışma ortamlarında kullanınız.
- Makinenizde yapılabilecek uygunsuz değişiklikler makinenizin güvenli çalışmasına ve kullanım ömrüne olumsuz etki eder.
- Cihazın belirtilen koşullar dışında çalıştırılmasından doğan sonuçlardan üretici sorumlu değildir.

Elektrik Çarpmaları Öldürebilir



Kurulum prosedürlerinin ulusal elektrik standartlarına ve diğer ilgili yönetmeliklere uygun olduğundan emin olun ve makinenin yetkili kişiler tarafından kurulmasını sağlayın.

- Kuru ve sağlam izolasyonlu eldiven ve iş önlüğü giyin. Islak ya da hasar görmüş eldiven ve iş önlüklerini kesinlikle kullanmayın.
- Yanma riskine karşı alev dayanıklı koruyucu kıyafetler giyin. Operatörün kullandığı kıyafetler kıvılcım, sıçrıntı ve ark radyasyonuna karşı koruyucu olmalıdır.
- Yalnız başınıza çalışmayın. Bir tehlike durumunda, çalıştığınız ortamda haber verebileceğiniz birinin olduğundan emin olun.
- Elektroda çıplak elle dokunmayın. Elektrod penselinin veya elektrodun herhangi bir kişi ya da topraklanmış nesne ile temas etmesini engelleyin.
- Elektrik taşıyan parçalara kesinlikle dokunmayın.
- Eğer çalışma yüzeyine, zemine ya da başka bir makineye bağlı elektrodla temas halindeyseniz kesinlikle elektrodla dokunmayın.
- Çalışma yüzeyinden ve zeminden kendinizi izole ederek olası muhtemel elektrik şoklarından koruna bilirsiniz. Çalışma yüzeyiyle operatörün temasını kesecek kadar büyük, yamaz, elektriksiz açıdan yalıtık, kuru ve hasarsız izolasyon malzemesi kullanın.
- Elektrod pensesine birden fazla elektrod bağlamayın.
- Topraklama pensesini çalışma parçası ya da çalışma masasına metal metale iyi bir temas sağlayacak şekilde olabildiğince yakın bağlayın.
- Makineyi çalıştırmadan önce torcu kontrol edin. Torcun ve kablolarının iyi durumda olduğundan emin olun. Hasarlı, yıpranmış torcu mutlaka değiştirin.
- Çift açık devre voltajı olacağı için 2 farklı makineye bağlı elektrod penselerine aynı anda dokunmayın.
- Makineyi kullanmadığınız durumlarda kapalı tutun ve kabloların bağlantılarını sökün.
- Makineyi tamir etmeden önce tüm güç bağlantılarını ve/veya bağlantı fişlerini çıkartın ya da makineyi kapatın.
- Uzun şebeke kablosu kullanırken dikkatli olun.
- Tüm bağlantıların sıkı, temiz ve kuru olduğundan emin olun.

- Kabloların kuru, temiz olmasına ve yağlanmamasına özen gösterin. Sıcak metal parçalardan ve kıvılcıklardan koruyun.
- İzolasyonsuz, çıplak kablolar ölümcül tehlike yaratır. Tüm kabloları olası hasarlarla karşı sık sık kontrol edin. Hasarlı ya da izolasyonsuz bir kablo tespit edildiğinde derhal tamir edin veya değiştirin.
- Topraklama sensesi iş parçasına bağlı değil ise herhangi bir metal nesneyle temasını önlemek için izole edin.
- Elektrik hattının topraklamasının doğru yapıldığından emin olun.
- AC kaynak çıkışı ıslak, nemli ya da sıkışık alanlarda ve düşme tehlikesi bulunan yerlerde kullanmayın.
- AC çıkışı yalnızca kaynak prosesi için gerekli olduğu durumlarda kullanın.
- AC çıkış gerekli olduğu durumlarda eğer makinanızda mevcut ise uzaktan kontrol ünitesini kullanın.

Aşağıdaki elektriksiz açıldan tehlike içeren durumlardan biri mevcut olduğunda ekstra güvenlik önlemleri alın;

- Nemli yerlerdeyken veya ıslak kıyafetler giyerken,
 - Metal zemin, ızgara veya iskele yapılarında iken,
 - Oturma, diz çökme veya yatma gibi sıkışık konumlarda iken,
 - İş parçası veya zemine temas etme riski yüksek veya kaçınılmaz olduğunda.
- Bu durumlarda aşağıdaki ekipmanlar kullanılabilir;
- Yarı otomatik DC sabit gerilim (CV) MIG kaynak makinesi,
 - DC manuel Örtülü elektrod kaynak makinesi,
 - Var ise düşük açık devre gerilimine (VRD) sahip DC veya AC kaynak makinesi.

**Elektrik Çarpması
Durumunda
Uygulanması
Gerekenler**



- Elektrik gücünü kapatın.
- Elektrik şokuna kapılmış kazazedeyi elektrik taşıyan kablo veya parçalardan kurtarmak için kuru odun gibi iletken olmayan malzemeler kullanın.
- Acil servisi arayın.

İlk yardım eğitiminiz var ise;

- Kazazede nefes alamıyorsa elektrik kaynağı ile temas kesildikten hemen sonra kalp masajı (CPR) uygulayın. Solunum başlayana veya yardım gelene kadar kalp masajına devam edin.
- Otomatik bir elektronik defibrilatörün (AED) mevcut olduğu durumlarda talimatlara uygun şekilde kullanın.
- Elektrik yanığını termal yanık gibi soğuk kompres uygulayarak tedavi edin.
- Enfeksiyon kapmasını önleyin ve temiz, kuru bir örtü ile örtün.

**Hareketli Parçalar
Yaralanmalara
Yol Açabilir**



- Hareket halinde olan nesnelere uzak durun.
- Makine ve cihazlara ait tüm kapak, panel, kapı vb. koruyucuları kapalı ve kilitli tutun.
- Ağır cisimlerin düşme olasılığına karşı metal burunlu ayakkabı giyin.

**Duman ve Gazlar
Sağlığınız İçin
Zararlı Olabilir**



Kaynak ve kesme işlemi yapılırken çıkan duman ve gazın uzun süre solunması çok tehlikelidir.

- Gözlerde, burunda ve boğazda meydana gelen yanma hissi ve tahrişler; yetersiz havalandırmanın belirtileridir. Böyle bir durumda derhal havalandırmayı artırın, sorunun devam etmesi halinde kaynak / kesme işlemini durdurun.
- Çalışma alanında doğal ya da suni bir havalandırma sistemi oluşturun.
- Kaynak / kesme işlemi yapılan yerlerde uygun bir duman emme sistemi kullanın. Gerekliyse tüm atölyede biriken duman ve gazları dışarıya atabilecek bir sistem kurun. Deşarj esnasında çevreyi kirletmemek için uygun bir filtrasyon sistemi kullanın.
- Dar ve kapalı alanlarda çalışıyorsanız veya kurşun, berilyum, kadmiyum, çinko, kaplı ya da boyalı malzemelerin kaynağını yapıyorsanız, yukarıdaki önlemlere ilave olarak temiz hava sağlayan maskeler kullanın.
- Gaz tüpleri ayrı bir bölgede gruplandırılmışsa buraların iyi havalandırılması sağlayın, gaz tüpleri kullanımında değilken ana vanalarını kapalı tutun, gaz kaçaklarına dikkat edin.
- Argon gibi koruyucu gazlar havadan daha yoğun ve kapalı alanlarda kullanıldıkları takdirde havanın yerine solunabilirler. Bu da sağlığınız için tehlikelidir.
- Kaynak / kesme işlemlerini yağlama veya boyama işlemlerinde açığa çıkan klorlu hidrokarbon buharlarının olduğu ortamlarda yapmayın.
- Bazı kaynak / kesim yapılan parçalar için özel havalandırma gerekir. Özel havalandırma gerektiren ürünlerin güvenlik kuralları dikkatlice okunmalıdır. Gaz maskesi takılması gereken durumlarda uygun gaz maskesi takılmalıdır.

Siçrıntı ve Ark Işığı Gözlerinizi ve Cildinizi Zarar Verebilir



- Gözlerinizi ve yüzünüzü korumak için standarda uygun koruyucu maske ile ona uygun cam filtre kullanın.
- Vücutunuzun diğer çıplak kalan yerlerini (kollar, boyun, kulaklar, vb) uygun koruyucu giysilerle siçrıntı ve ark ışınlarından koruyun.
- Çevrenizdeki kişilerin ark ışınlarından ve sıcak metallere zarar görmemeleri için çalışma alanınızı göz hizasından yüksek, alev dayanıklı paravanlarla çevirin ve uyarı levhaları asın.
- Buz tutmuş boruların ısıtılmasında kullanılmaz. Kaynak / kesme makinesiyle yapılan bu işlem tesisatınızda patlama, yangın veya hasara neden olur.

Kıvılcıklar ve Siçrayan Parçalar Gözlerinizi Yaralayabilir



- Kaynak / kesme yapmak, yüzey taşlamak, fırçalamak gibi işlemler kıvılcıklara ve metal parçacıklarının siçramasına neden olur. Oluşabilecek yaralanmaları önlemek için koruyucu maskesinin altına, kenar korumalıkları olan onaylanmış koruyucu iş gözlükleri takın.

Sıcak Parçalar Ağır Yanıklara Neden Olabilir



- Sıcak parçalara çıplak el ile dokunmayın.
- Makinenin parçaları üzerinde çalışmadan önce soğumaları için gerekli sürenin geçmesini bekleyin.
- Sıcak parçaları tutmanız gerektiğinde, uygun alet, ısıl izolasyonu yüksek kaynak / kesme eldiveni ve yanmaz giysiler kullanın.

Gürültü, Duyma Yeteneğinize Zarar Verebilir



- Bazı ekipman ve işlemlerin oluşturacağı gürültü, duyma yeteneğinize zarar verebilir.
- Eğer gürültü seviyesi yüksek ise onaylanmış kulak koruyucularını takın.

Kaynak Teli Yaralanmalara Yol Açabilir



- Kaynak teli sargısını boşaltırken torcu vücudun herhangi bir bölümüne, diğer kişilere ya da herhangi bir metale doğru tutmayın.
- Kaynak telini makaradan elle açarken özellikle ince çaplarda tel, bir yay gibi elinizden fırlayabilir, size veya çevrenizdeki diğer kişilere zarar verebilir; bu işlemi yaparken özellikle gözlerinizi ve yüzünüzü koruyun.

Kaynak / Kesme İşlemi Yangınlara ve Patlamalara Yol Açabilir



- Yanıcı maddelere yakın yerlerde kesinlikle kaynak / kesim yapmayın. Yangın çıkabilir veya patlamalar olabilir.
- Kaynak / kesme işlemine başlamadan önce bu maddeleri ortamdan uzaklaştırın veya yanmalarını ve harlamalarını önlemek için koruyucu örtülerle üstlerini örtün.
- Bu alanlarda ulusal ve uluslararası özel kurallar geçerlidir.

- Tamamen kapalı tüplere ya da borulara kaynak / kesme işlemi uygulamayın.
- Tüp ve kapalı konteynerlere kaynak / kesme yapmadan önce bunları açın, tamamıyla boşaltıp, havalandırıp temizleyin. Bu tip yerlerde yapacağımız kaynak / kesme işlemlerinde mümkün olan en büyük dikkati gösterin.
- İçinde daha önce, patlama, yangın ya da diğer tepkimelere neden olabilecek maddeler bulunan tüp ve borulara boş dahi olsalar kaynak / kesme yapmayın.
- Kaynak / kesme işlemi esnasında yüksek sıcaklık oluşur. Bu nedenle kolay yanabilecek veya hasar görebilecek yüzeylerin üzerine yerleştirmeyin !

- Kıvılcıklar ve siçrayan parçalar yangına sebep olabilir. Bu nedenle yangın söndürücü tüp, su, kum gibi malzemeleri kolay ulaşabileceğiniz yerlerde bulundurun.
- Yanıcı, patlayıcı ve basınçlı gaz devreleri üzerinde geri tepme ventilleri, gaz regülatörleri ve vanalarını kullanın. Bunların periyodik kontrollerinin yapıpı sağlıklı çalışmasına dikkat edin.

Makine ve Aparatları Yetkisiz Kişiler Tarafından Bakım Yapılması Yaralanmalara Neden Olabilir



- Elektrikli cihazlar yetkisiz kişilere tamir ettirilmemelidir. Burada yapılabilecek hatalar kullanımda ciddi yaralanmalara veya ölümlere neden olabilir
- Gaz devresi elemanları basınç altında çalışmaktadır; yetkisiz kişiler tarafından verilen servisler sonucunda patlamalar olabilir, kullanıcılar ciddi şekilde yaralanabilir.
- Makinenin ve yan birimlerinin her yıl en az bir kez teknik bakımının yaptırılması tavsiye edilir.

Küçük Hacimli Kapalı Alanlarda Kaynak / Kesme



- Küçük hacimli ve kapalı alanlarda mutlaka bir başka kişi eşliğinde kaynak / kesme işlemlerini yapın.
- Mümkün olduğu kadar bu tarz kapalı yerlerde kaynak / kesme işlemleri yapmaktan kaçınınız.

Taşıma Esnasında Gerekli Önlemlerin Alınmaması Kazalara Neden Olabilir



- Makinenin taşınmasında gerekli tüm önlemleri alınız. Taşıma yapılacak alanlar, taşımada kullanılacak parçalar ile taşımayı gerçekleştirecek kişinin fiziki koşulları ve sağlığı taşıma işlemine uygun olmalıdır.
- Bazı makineler son derece ağırdır, bu nedenle yerleri değiştirirken gerekli çevresel güvenlik önlemlerinin alındığından emin olunmalıdır.
- Makine bir platform üzerinden kullanılacaksa, bu platformun uygun yük taşıma sınırlarına sahip olduğu kontrol edilmelidir.
- Bir vasıta yardımı ile (taşıma arabası, forklift vb.) taşınacak ise vasıtanın ve makineyi vasıtaya bağlayan bağlantı noktalarının (taşıma askısı, kayış, civata, somun, tekerlek vb.) sağlamlığından emin olunuz.
- Elle taşıma işlemi gerçekleştirilecek ise Makine aparatlarının (taşıma askısı, kayış vb.) ve bağlantılarının sağlamlığından emin olunuz.
- Gerekli taşıma koşullarının sağlanması için Uluslararası Çalışma Örgütünün taşıma ağırlığı ile ilgili kurallarını ve ülkenizde var olan taşıma yönetmeliklerini göz önünde bulundurunuz.
- Güç kaynağının yerini değiştirirken her zaman tutamakları veya taşıma halkalarını kullanın. Asla torç, kablo veya hortumlardan çekmeyin. Gaz tüplerini mutlaka ayrı taşıyın.
- Kaynak / kesme ekipmanlarını taşımadan önce tüm ara bağlantılarını sökün, ayrı ayrı olmak üzere, küçük olanları saplarından, büyükleri ise taşıma halkalarından ya da forklift gibi uygun kaldıraç ekipmanları kullanarak kaldırın ve taşıyın.

Düşen Parçalar Yaralanmalara Sebep Olabilir



Güç kaynağının ya da diğer ekipmanların doğru konumlandırılmaması, kişilerde ciddi yaralanmalara ve diğer nesnelere de maddi hasara neden olabilir.

- Makinenin düşmeyecek ve devrilmeyecek şekilde maksimum 10° eğime sahip zemin ve platformlara yerleştirin. Malzeme akışına engel olmayacak, kablo ve hortumlara takılma riskinin oluşmayacağı, hareketsiz; ancak geniş, rahat havalandırılabilir, tozsuz alanları tercih edin. Gaz tüplerinin devrilmemesi için tüpe uygun gaz platformu bulunan makinelerde platformun üzerine, sabit kullanımlarda ise devrilmeyecek şekilde zincirle duvara sabitleyin.
- Operatörlerin makine üzerindeki ayarlara ve bağlantılara kolayca ulaşmasını sağlayın.

Aşırı Kullanım Makinenin Aşırı Isınmasına Neden Olur



- Çalışma çevrimi oranlarına göre makinenin soğumasına müsaade edin.
- Akımı veya çalışma çevrimi oranını tekrar kaynağa / kesmeye başlamadan önce düşürün.
- Makinenin havalandırma girişlerinin önünü kapamayın.
- Makinenin havalandırma girişlerine, üretici onayı olmadan filtre koymayın.

Ark Kaynağı Elektromanyetik Parazitlere Neden Olabilir



- Bu cihaz TS EN 55011 standardına göre EMC testlerinde grup 2, class A dir.
- Bu class A cihaz elektiriksel gücün alçak gerilim şebekeden sağlandığı meskun mahallerde kullanım amacıyla üretilmemiştir. Bu gibi yerlerde iletilen ve yayılan radyo frekans parazitlerinden dolayı elektromanyetik uyumluluğu sağlamakla ilgili muhtemel zorluklar olabilir.



Bu cihaz IEC 61000 -3 - 12 uyumlu değildir. Evlerde kullanılan alçak gerilim şebekesine bağlanmak istenmesi durumunda, elektrik bağlantısını yapacak tesisatçının veya makineyi kullanacak kişinin, makinenin bağlanabilirliği konusunda bilgi sahibi olması gereklidir, bu durumda sorumluluk kullanıcıya aittir.

- Çalışma bölgesinin elektromanyetik uyumluluğa (EMC) uygun olduğundan emin olun. Kaynak / kesme işlemi esnasında oluşabilecek elektromanyetik parazitler, elektronik cihazlarınızda ve şebekenizde istenmeyen etkilere neden olabilir. İşlem sırasında oluşabilecek bu parazitlerin neden olabileceği etkiler kullanıcının sorumluluğu altındadır.
- Eğer herhangi bir parazit oluşuyorsa, uygunluğu sağlamak için; kısa kablo kullanımı, korumalı (zırhlı) kablo kullanımı, makinenin başka bir yere taşınması, kabloların etkilenen cihaz ve/veya bölgeden uzaklaştırılması, filtre kullanımı veya çalışma alanının EMC açısından korunmaya alınması gibi ekstra önlemler alınabilir.
- Olası EMC hasarlarını engellemek için kaynak / kesme işlemlerinizi hassas elektronik cihazlarınızdan mümkün olduğunca uzakta (100 m) gerçekleştirin.
- Makinenizi kullanma kılavuzuna uygun şekilde kurulum yerleştirildiğinden emin olun.

Çalışma Alanının IEC 60974-9 madde 5.2'ye göre;**Elektromanyetik Uygunluğunun Değerlendirilmesi**

Kaynak / kesme donanımı tesis etmeden önce, işletme yetkilisi ve / veya kullanıcı, çevredeki olası elektromanyetik parazitler hakkında bir inceleme yapmalıdır. Aşağıda belirtilen haller göz önünde bulundurulmalıdır;

- Kaynak / kesme makinesi ve donanımının üstünde, altında ve yanındaki diğer besleme kabloları, kontrol kabloları, sinyal ve telefon kabloları,
- Radio ve televizyon vericileri ve alıcıları,
- Bilgisayar ve diğer kontrol donanımı,
- Kritik güvenlik donanımı, örneğin endüstriyel donanımın korunması,
- Çevredeki insanların tıbbi aparatları, örneğin kalp pilleri ve işitme cihazları,
- Ölçme veya kalibrasyon için kullanılan donanım,
- Ortamdaki diğer donanımın başlıklığı. Kullanıcı, çevrede kullanılmakta olan diğer donanımın uyumlu olmasını sağlamalıdır. Bu, ilave koruma önlemleri gerektirebilir,
- Kaynak / kesme işleminin gün içindeki gerçekleştirileceği zaman, göz önüne alınarak çevrenin büyüklüğü, binanın yapısına ve binada yapılmakta olan diğer faaliyetlere göre inceleme alanı sınırları genişletilebilir.

Alanın değerlendirilmesine ek olarak cihaz kurulumlarının değerlendirilmesi de bozucu etkinin çözümü için gerekli olabilir. Gerek görülmesi durumunda, yerinde ölçümler azaltıcı önlemlerin verimliliklerini onaylamak için de kullanılabilir.

(Kaynak: IEC 60974-9).

Parazit Azaltma Yöntemleri

- Cihaz tavsiye edilen şekilde ve yetkili bir kişi tarafından elektrik şebekesine bağlanmalıdır. Eğer parazit oluşursa şebekenin filtrelenmesi gibi ek önlemler uygulanabilir. Sabit montajlı ark kaynağı ekipmanının beslemesi metal bir boru içerisinden veya eşdeğer ekranlı bir kablo ile yapılmalıdır. Ekran ile güç kaynağının mahfazası bağlı olmalı ve bu iki yapı arasında iyi bir elektriksel temas sağlanmalıdır.
- Cihazın tavsiye edilen rutin bakımları yapılmalıdır. Cihaz kullanımdayken, kaportanın tüm kapakları kapalı ve / veya kilitle olmalıdır. Cihaz üzerinde üreticinin yazılı onayı olmadan standart ayarları dışında herhangi bir değişiklik, modifikasyon kesinlikle yapılamaz. Aksi durumda oluşabilecek her türlü sonuçtan kullanıcı sorumludur.
- Kaynak / kesme kabloları mümkün olduğunca kısa tutulmalıdır. Çalışma alanının zemininden yan yana olacak şekilde ilerlemelidirler. Kaynak / kesme kabloları hiçbir şekilde sarılmamalıdır.
- Kaynak / kesme esasında makinede manyetik alan oluşmaktadır. Bu durum makinenin metal parçaları kendi üzerine çekmeye sebebiyet verebilir. Bu çekimi engellemek adına metal malzemelerin güvenli mesafede veya sabitlenmiş olduğundan emin olunuz. Operatör, bütün bu birbirine bağlanmış metal malzemelerden yalıtılmalıdır.
- İş parçasının elektriksel güvenlik amacıyla veya boyutu ve pozisyonu sebebiyle toprağa bağlanmadığı durumlarda (örneğin gemi gövdesi veya çelik konstrüksiyon imalatı) iş parçası ile toprak arasında yapılacak bir bağlantı bazı durumlarda emisyonları düşürebilir. İş parçasının topraklanmasının kullanıcıların yaralanmasına veya ortamdaki diğer elektrikli ekipmanların arıza yapmasına neden olabileceği unutulmamalıdır. Gerekli hallerde iş parçası ile toprak bağlantısı doğrudan yapılabılır fakat doğrudan bağlantıya izin verilemeyen bazı ülkelerde bağlantı yerel düzenleme ve yönetmeliklere uygun olarak, uygun kapasite elemanları kullanılarak oluşturulabilir.
- Çalışma alanındaki diğer cihazların ve kabloların ekranlanması ve muhafazası bozucu etkilerin önüne geçilmesini sağlayabilir. Kaynak / kesme bölgesinin tamamının ekranlanması bazı özel uygulamalar için değerlendirilebilir.

Elektromanyetik Alan (EMF)

Herhangi bir iletken üzerinden geçen elektrik akımı, bölgesel elektrik ve manyetik alanlar (EMF) oluşturur.

Operatörler EMF'ye maruz kalmının sebep olduğu riski en aza indirmek için aşağıdaki prosedürleri uygulamalıdır;

- Manyetik alanı azaltmak adına kaynak / kesme kabloları bir araya getirilmeli, mümkün olduğunca birleştirici malzemelerle (bant, kablo bağı vb.) emniyet altına alınmalıdır.
- Operatörün gövdesi ve başı, kaynak / kesme makine ve kablolarından mümkün olduğunca uzakta tutulmalıdır,
- Kaynak / kesme ve elektrik kabloları vücudun etrafına hiçbir şekilde sarılmamalıdır,
- Vücut, kaynak / kesme kablolarının arasında kalmamalıdır. Kaynak / kesme kablolarının her ikisi yan yana olmak üzere vücudun uzağında tutulmalıdır,
- Dönüş kablosu iş parçasına, kaynak / kesme yapılan bölgeye mümkün olduğunca yakın bir şekilde bağlanmalıdır,
- Güç ünitesine yaslanmamalı, üzerine oturmamalı ve çok yakınında çalışılmamalıdır,
- Güç ünitesini veya tel besleme ünitesini taşıırken kaynak / kesme işlemi yapılmamalıdır.

EMF ayrıca, kalp pilleri gibi tıbbi implantların (vücut içine yerleştirilen madde) çalışmasını bozabilir. Tıbbi implantları olan kişiler için koruyucu önlemler alınmalıdır. Örneğin, yoldan geçenler için erişim sınırlaması koyulabilir veya operatörler için bireysel risk değerlendirmeleri yapılabilir. Bir tip uzmanı tarafından, tıbbi implantları olan kullanıcılar için risk değerlendirmesi yapıp, öneride bulunulmalıdır.

**Koruma**

- Makineyi yağmura maruz bırakmayın, üzerine su sıçramasına veya basınçlı buhar gelmesine engel olun.

Enerji Verimliliği

- Yapacağınız kaynak / kesme işlemine uygun yöntem ve makine tercihinde bulunun.
- Kaynak / kesme yapacağınız malzemeye ve kalınlığına uygun akım ve / veya gerilimi seçin.
- Kaynak / kesme yapmadan uzun süre beklenilecekse, fan makineyi soğuttuktan sonra makineyi kapatın. Akıllı fan kontrolü olan makinelerimiz kendi kendine duracaktır.

Atık Prosedürü

- Bu cihaz evsel atık değildir. Avrupa Birliği direktifi ile ulusal yasa çerçevesinde geri dönüşüme yönlendirilmek zorundadır.
- Kullanılmış makinенizin atık yönetimi hakkında satıcınızdan ve yetkili kişilerden bilgi edinin.

GARANTİ FORMU

Garanti Formu için www.magmaweld.com.tr/garanti-formu/wr web sitemizi ziyaret ediniz.

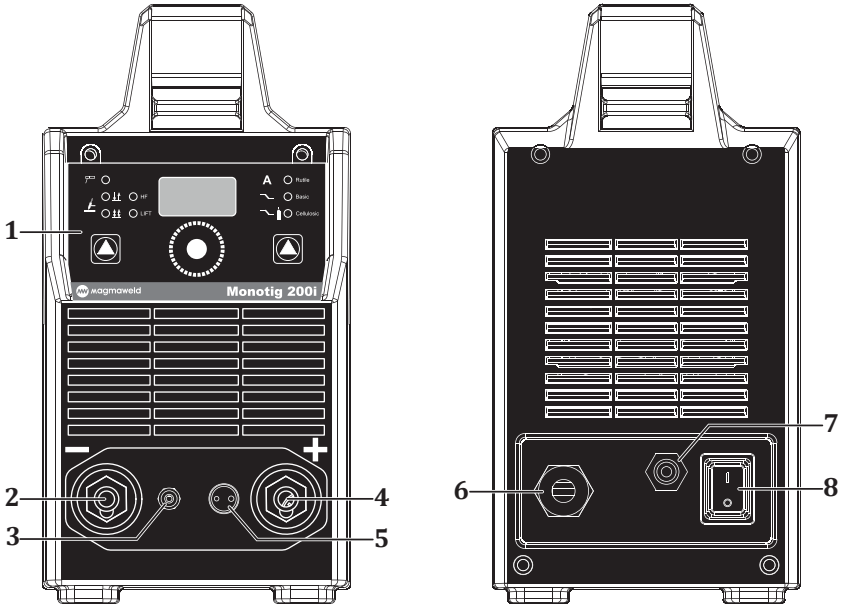


TEKNİK BİLGİLER

1.1 Genel Açıklamalar

monoTIG 160i, monoTIG 200i invertör tipi, kolay taşınabilir, monofaze DC TIG ve Örtülü Elektrod kaynak makinesidir. Alüminyum hariç diğer metallerin TIG kaynağı ve 4 mm çapa kadar örtülü elektrod kaynağı için tasarlanmıştır. Akım, süre ve program ayarları dijital göstergelerden izlenir. monoTIG 160i ve monoTIG 200i, 160 V ila 240 V arasında 50/60 Hz şebeke geriliminde çalışabildiğinden, şebeke gerilimindeki dalgalanmalardan etkilenmez, böylece jeneratörlerle de kusursuz çalışır. monoTIG 160i ve monoTIG 200i, 25 metre uzunluğa kadar kaynak kablolarıyla da kullanılabilir. Makine fan soğutmalıdır ve aşırı ısınmaya karşı termik korumalıdır.

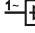

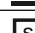
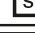
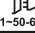

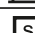
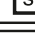
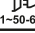
1.2 Makine Bileşenleri



Şekil 1 : Ön ve Arka Görünüm

- | | |
|--|---------------------------|
| 1- Kontrol Paneli | 5- Tetik Kontrol Soketi |
| 2- Kaynak Ve Toprak Kablosu Soketi (-) | 6- Besleme Kablosu Girişi |
| 3- Gaz Çıkışı | 7- Gaz Girişi |
| 4- Kaynak ve Toprak Kablosu Soketi (+) | 8- Açma / Kapama Düğmesi |

1.3 Ürün Etiketi

MAGMA MEKATRONİK MAKİNE SAN. VE TİC. A.Ş. Organize Sanayi Bölgesi 5.Kısım Manisa-TÜRKİYE			
MONOTIG 160i		S/N:	
		EN 60974-1/-10 Cl. A	
		5A / 10.2V - 160A / 16.4V	
	$U_0=65V$	$X^{(40^\circ C)}$	30% 60% 100%
		I_2	160A 113A 88A
		U_2	16.4V 14.5V 13.5V
	$U_1=230V$	$I_{1max}=21.8A$	$I_{1eff}=12A$
		5A / 20.2V - 160A / 26.4V	
	$U_0=65V$	$X^{(40^\circ C)}$	20% 60% 100%
		I_2	160A 92A 72A
		U_2	26.4V 23.7V 22.9V
	$U_1=230V$	$I_{1max}=32.2A$	$I_{1eff}=14.5A$
IP23	CE	EAC	UK CA

 Tek Fazlı Transformatör Doğrultucu



TIG Kaynağı



Örtülü Elektrod Kaynağı



Doğru Akım



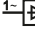


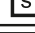
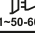


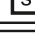
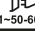
Düşey Karakteristik



Şebeke Girişi-1 Fazlı Alternatif Akım



Tehlikeli Ortamlarda Çalışmaya Uygun

MAGMA MEKATRONİK MAKİNE SAN. VE TİC. A.Ş. Organize Sanayi Bölgesi 5.Kısım Manisa-TÜRKİYE			
MONOTIG 200i		S/N:	
		EN 60974-1/-10 Cl. A	
		5A / 10.2V - 200A / 18V	
	$U_0=65V$	$X^{(40^\circ C)}$	25% 60% 100%
		I_2	200A 129A 100A
		U_2	18V 15.2V 14V
	$U_1=230V$	$I_{1max}=29.1A$	$I_{1eff}=14.6A$
		5A / 20.2V - 200A / 28V	
	$U_0=65V$	$X^{(40^\circ C)}$	14% 60% 100%
		I_2	200A 97A 75A
		U_2	28V 23.9V 23V
	$U_1=230V$	$I_{1max}=41.5A$	$I_{1eff}=15.6A$
IP23	CE	EAC	UK CA

X Çalışma Çevrimi

U_0 Boşta Çalışma Gerilimi

U_1 Şebeke Gerilimi ve Frekansı

U_2 Anma Kaynak Gerilimi

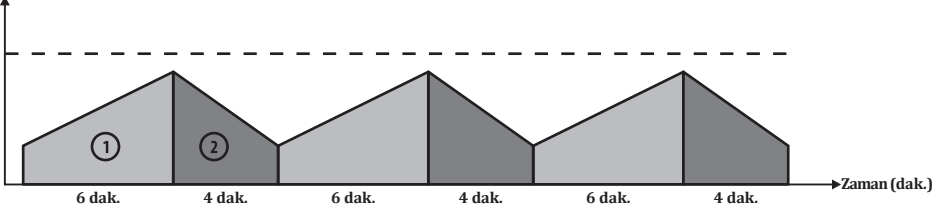
I_1 Şebekeden Çekilen Anma Akımı

I_2 Anma Kaynak Akımı

S_1 Şebekeden Çekilen Güç

IP23S Koruma Sınıfı

Çalışma Çevrimi
Sıcaklık (°C)



EN 60974-1 standardında da tanımlandığı üzere çalışma çevrim oranı 10 dakikalık bir zaman periyodunu içerir. Örnek olarak %60'da 250A olarak belirtilen bir makinede 250A'de çalışılmak isteniyorsa, makine 10 dakikalık zaman periyodunun ilk 6 dakikasında hiç durmadan kaynak / kesme yapabilir (1 bölgesi). Ancak bunu takip eden 4 dakika makine soğuması için boşta bekletilmelidir (2 bölgesi).

1.4 Teknik Özellikler

TEKNİK ÖZELLİKLER	BİRİM	monoTIG 160i	monoTIG 200i
Şebeke Gerilimi (1-Faz 50-60 Hz)	V	230	230
Şebekeden Çekilen Güç (MMA)	kVA	7.41 (%30)	9.55 (%25)
Şebekeden Çekilen Güç (TIG)	kVA	5.01 (%30)	6.69 (%25)
Kaynak Akım Ayar Sahası	ADC	5 - 160	5 - 200
Anma Kaynak Akımı	ADC	160 (%30)	200 (%25)
Açık Devre Gerilimi	VDC	65	65
Kaynak Elektrod Çapı Aralığı	mm	1.60 - 3.25	2.00 - 4.00
Tungsten Elektrod Çapı Aralığı	mm	1.20 - 2.40	1.00 - 2.40
Boyutlar (u x g x y)	mm	520 x 160 x 312	520 x 160 x 312
Ağırlık	kg	9.5	10
Koruma Sınıfı		IP 23S	IP 23S

1.5 Aksesuarlar

STANDART AKSESUARLAR	ADET	monoTIG 160i	monoTIG 200i
Topraklama Pensesi ve Kablosu	1	7905212503 (25 mm ² - 3 m)	7905212503 (25 mm ² - 3 m)
Gaz Hortumu	1	7907000002	7907000002
Torç (Hava Soğutmalı 4 m)	1	7110018004	7110018004
OPSİYONEL AKSESUARLAR	ADET	monoTIG 160i	monoTIG 200i
Elektrod Pensesi ve Kablosu	1	7906201603	7910005200
Su Soğutma Ünitesi (CSP 40)	1	7910005200	7020001004
Gaz Regülatörü	1	7020001004	7110018004
Lava TIG 26 (8 m) Hava Soğutmalı TIG Torcu	1	7110018008	7110018008
Lava TIG 18W (4 m) Su Soğutmalı TIG Torcu	1	7110038004	7110038004
Lava TIG 18W (8 m) Su Soğutmalı TIG Torcu	1	7110038008	7110038008
TIG Aksesuar Seti Hava Soğutmalı (Torç + Regülatör)	1	7910000510	7910000510
TIG Aksesuar Seti Su Soğutmalı (Torç + Regülatör)	1	7910000530	7910000530
Ayak Pedalı (On/Off)	1	7910000130	7910000130
Taşıma Arabası	1	7910000100	7910000100

KURULUM BİLGİLERİ

2.1 Teslim Alırken Dikkat Edilecek Hususlar

Sipariş ettiğiniz tüm malzemelerin gelmiş olduğundan emin olun. Herhangi bir malzemenin eksik veya hasarlı olması halinde derhal aldığınız yer ile temasa geçin.

Standart kutu şunları içermektedir :

- Ana makine ve ona bağlı şebeke kablosu
- Garanti belgesi
- Topraklama pensesi ve kablosu
- Kullanım kılavuzu

Hasarlı teslimat halinde tutanak tutun, hasarın resmini çekin, irsaliyenin fotokopisi ile birlikte nakliyeciy firmaya bildirin. Sorunun devam etmesi halinde müşteri hizmetleri ile irtibata geçin.

Cihaz üzerindeki sembol ve anlamları



Kaynak yapma işlemi tehlike içermektedir. Uygun çalışma koşulları sağlanmalı ve gerekli önlemler alınmalıdır. Uzman kişiler makinede sorumlu olup, gerekli donanımları sağlamalıdır. İlgili olmayan kişiler kaynak sahasından uzak tutulmalıdır.



Bu cihaz IEC 61000-3-12 uyumlu değildir. Evlerde kullanılan alçak gerilim şebekesine bağlanmak istenmesi durumunda, elektrik bağlantısını yapacak tesisatçının veya makineyi kullanacak kişinin, makinenin bağlanabilirliği konusunda bilgi sahibi olması gereklidir, bu durumda sorumluluk kullanıcıya aittir.



Cihaz üzerinde ve kullanım kılavuzunda bulunan güvenlik sembollerine ve uyarı notlarına dikkat edilmeli, etiketleri sökülmemelidir.



İzgaralar havalandırma amaçlıdır. Açıklıkların üzeri iyi bir soğutma sağlamak amacıyla örtülmemelidir içeriye yabancı cisim sokulmamalıdır.

2.2 Kurulum ve Çalışma Tavsiyeleri

- Makineyi taşımak için kaldırma halkaları ya da forklift kullanılmalıdır. Makineyi gaz tüpüyle birlikte kaldırmayın. Çanta tipi taşınabilir kaynak makinelerinde elle taşıma yapılırken İş Sağlığı ve Güvenliği yönetmeliğine uygun şekilde hareket edilmelidir. Taşıma işleminin mümkün olduğu kadar sağlık ve güvenlik şartlarına uygun olarak yapılabilmesi için işyerinde gerekli düzenlemeler yapılmalıdır. Çalışma ortamının özellikleri ve yapılan işin gereklerine uygun önlemler alınmalıdır. Makine düşmeyeceği ve devrilmeyeceği sert, düzgün ve eğimsiz bir zemine yerleştirilmelidir.
- Makineyi direk güneş ışığı altında çalıştırmayın. Ortam sıcaklığının 40°C aştığı durumlarda, makineyi daha düşük akımda ya da daha çevrim oranında çalıştırın.
- Dış mekanlarda rüzgar ve yağmur varken kaynak yapmaktan kaçının. Bu tür durumlarda kaynak yapmak zorunlusa, kaynak bölgesini ve kaynak makinesini perde ve tenteye koruyun. İçeride kaynak yapıyorsanız, uygun bir duman emme sistemi kullanın. Kapalı mekanlarda kaynak dumanı ve gazı soluma riski varsa, solunum aparatları kullanın.
- Ürün etiketinde belirtilen çalışma çevrimi oranlarına uyun. Çalışma çevrimi oranlarını sıklıkla asmak, makineye hasar verebilir ve bu durum garantiyi geçersiz kılabılır.
- Sisteminize uygun sigortayı kullanın.
- Toprak kablosunu kaynak bölgesinin olabildiğince yakınına, sıkıca bağlayın.
- Kaynak akımının kaynak kabloları dışındaki ekipmanlar üzerinden geçmesine izin vermeyin.
- Gaz tüpünü zincirle duvara sabitleyin.
- Çalışma sırasında kaynak kabloları ve şebeke kablosu makine gövdesine sarılı olmamalıdır.

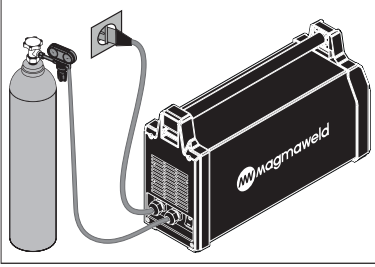
2.3 TIG Kaynağı İçin Bağlantılar

2.3.1 Makineyi Şebekeye Bağlayın ve Çalıştırın



Makineyi şebekeye bağlamadan önce şebekede doğru gerilimin olup olmadığını kontrol edin.

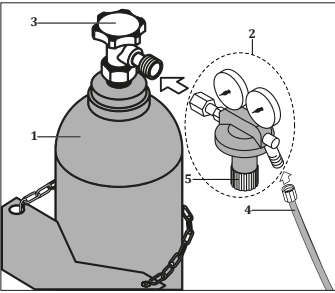
- Açma/kapama düğmesini kapalı "0" konuma getirip makinenin fişini prize takın.
- Açma/kapama düğmesi ile makineyi çalıştırın. Açma/kapama düğmesinin ile kontrol panelindeki gösterge ve ledlerin yandığını ve soğutma fanının çalıştığını tespit edin ve soğutma fanının sesini duyduğunuzdan emin olun.



Şekil 2 : Gaz ve Şebeke Bağlantıları

2.3.2 Gaz Bağlantıları

- Argon gaz tüpünü zincirle duvara sabitleyin. Emniyetle çalışmak ve iyi sonuçlar elde etmek için standartlara uygun bir regülatör kullanın.
- Gaz tüpü vanasını bir süre açık tutarak, olası tortu ve partiküllerin dışarı atılmasını sağlayın.
- Gaz regülatörünü gaz tüpüne bağlayın, gaz tüpünün gaz çıkışındaki vida dişi ile regülatörün somununun örtüştüğünden emin olun.
- Tüp hortumunun bir ucunu gaz regülatörüne, diğer ucunu makinenin arkasındaki gaz girişine bağlayıp gaz tüpü vanasını açın.



Şekil 3 : Gaz Tüpü - Regülatör - Hortum Bağlantısı

- Basınç ayar vanası ile gaz debisini ayarlayın.
- Bağlantılarda sızıntı olmadığından emin olun.

Elektrod Çapı (mm)	Nozul Çapı (mm)	Kaynak Akımı (ADC)	Gaz Debisi (lt/dak)
1.0	6.3	30-70	6-8
1.6	9.5	30-150	6-8

2.3.3 Torç Bağlantılarını Hazırlama

CX79 TIG torç adaptörü ile TIG torcu bağlantıları:

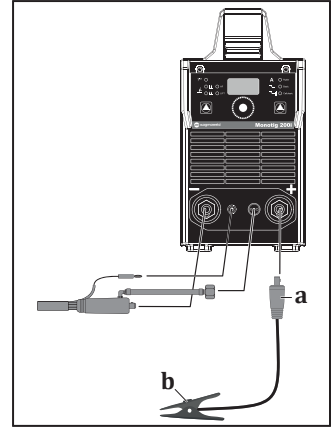
- Torcun ucundaki somunu plastik gövdeden geçirerek torç fişine sıkıca takın. Ardından torç fişini plastik gövdeye yerleştirin.
- Gaz hortumu dirsek rakorunu plastik gövde üzerindeki delikten geçirip çevirerek sokete sıkıca takın.
- Gaz hortumunu dirsek rakoruna kelepçe ile geçirip iyice sıkın.
- Torcun tetik kontrol kablolarına, ürünle birlikte standart olarak sunulan konnektör pimlerini takın.

2.3.4 Torç Bağlantıları

- TIG torcunun fişini eksi kutuplu kaynak soketine sokup sağa çevirerek iyice sıkın. Makineyle birlikte gelen torç tetik konnektörünü torcun tetik kontrol kablolarına takın. Ardından konnektörü tetik kontrol soketine bağlayın.
- Torcun gaz hortumunu gaz çıkışına bağlayın.
- Su soğutmalı modellerde torcun soğuk "mavi" hortumunu makine üzerindeki soğuk su çıkışına, sıcak "kırmızı" hortumunu makine üzerindeki sıcak su girişine bağlayın.

2.3.5 Topraklama Pensesi Bağlantıları

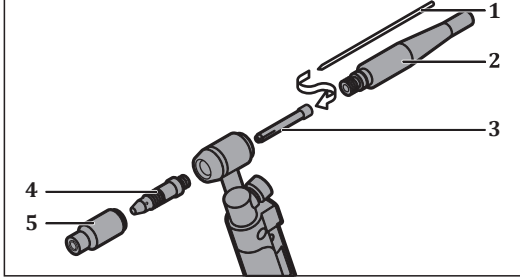
- Topraklama pensesi kablusunun fişini artı kutuplu sokete sokup sağa çevirerek iyice sıkın.
- Kaynak kalitesini arttırmak için, topraklama pensesini, kaynak yapılacak bölgeye olabildiğince yakın bir yerde, iş parçasına sıkıca bağlayın.



Şekil 4 : Kaynak Bağlantıları

2.3.6 Tungsten Elektrodu Deęiřtirme

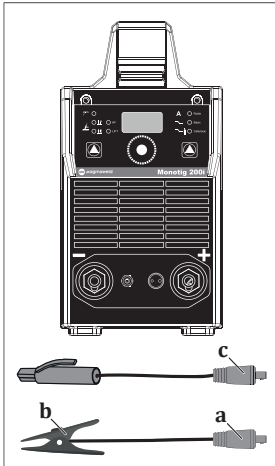
- Seramik gaz nozulu ve tungsten elektrod çalışma akımına ve iş parçasının şekline göre seçilmelidir. Buna baęlı olarak, kıskaç ve kıskaç tutucunun çapları tungsten elektrodun çapıyla örtüşmelidir.
- Sıkıştırma başlıęını çıkartın.
- Mevcut elektrodu, elektrod kaskacından çıkartıp yeni tungsten elektrodu yerleřtirin.
- Elektrod kaskacını torca takın.
- Sıkıştırma başlıęını iyice sıkıştırın.



řekil 5 : Tungsten Elektrodu Deęiřtirme

2.4 Örtülü Elektrod Kaynaęı İçin Baęlantılar

- 2.3.1 de basamakları takip ederek makineyi çalıştırın.
- Elektrod pensesi kablosunun fiřini ve topraklama pensesi kablosunun fiřini, kullanılacak elektroda ve elektrodun üreticisinin tavsiye ettięi kutuplara göre kaynak ve toprak kablosu soketlerine baęlayın.
- Kaynak kalitesini arttırmak için, topraklama pensesini, kaynak yapılacak bölgeye olabildięince yakın bir yerde, iş parçasına sıkıca baęlayın.
- Kaynak akımını ayarlayın. Makine kaynaęa hazırdır.
- Ařaęıdaki tablo alařımsız çeliklerin amper ayarı için referans olarak verilmiřtir. Lütfen elektrod üreticisinin tavsiyelerine uyunuz.

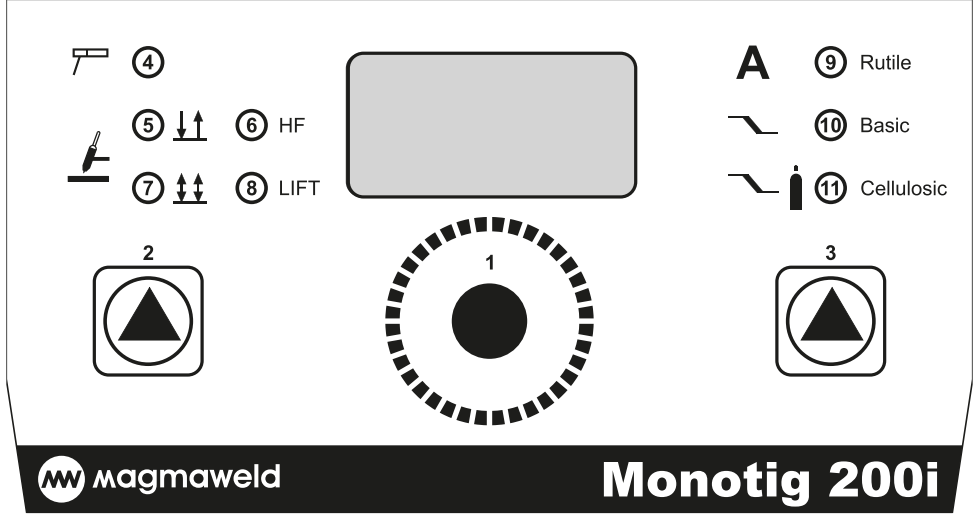


Örtülü Elektrod Çapı (mm)	Tavsiye Edilen Kaynak Akımı		
	Rutil	Bazik	Selülozik
2.0	40-60 A	-	-
2.5	60-90 A	60-90 A	60-100 A
3.25	100-140 A	100-130 A	70-130 A
4.0	140-180 A	140-180 A	120-170 A

řekil 6 : Kaynak Baęlantıları

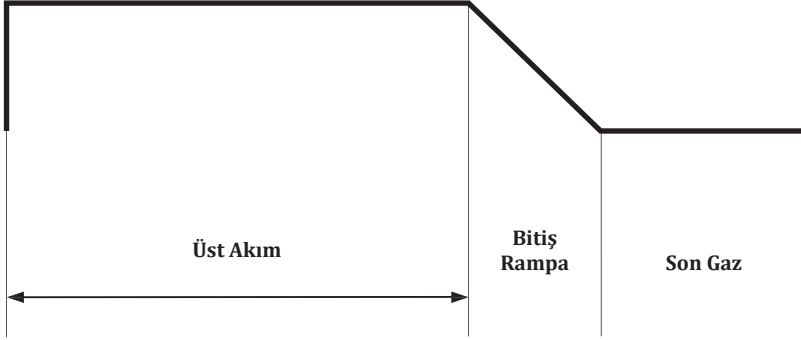
KULLANIM BİLGİLERİ

3.1 Kullanıcı Arayüzü



1	Ayar Fonksiyon Potu Seçilen parametreyi arttırmak veya azaltmak için kullanılır.
2	Kaynak Modu Seçim Düğmesi Örtülü Elektrod kaynağı, HF tutuşturmalı TIG kaynağı ve Dokundurma Başlatmalı TIG kaynağı modlarından birini seçmek için kullanılır.
3	Süre, Gaz ve Elektrod Tipi Seçim Tuşu
4	MMA Modu Ledi Örtülü elektrod kaynak modu aktif hale gelir.
5	2 Tetik Modu Ledi Tetik basıldığında başlar. Bırakıldığında sonlanır.
6	HF Tutuşturma İş parçasına değdirilmeyerek yaklaştırıldığında ark gazı üzerinden voltaj atlaması ile tutuşma başlar.
7	4 Tetik Modu Ledi Tetik basılıp bırakıldığında tutuşturma ile kaynak başlar. Tekrar basılıp bırakıldığında kaynak sonlanır.
8	Tutuşturma Torç tetiği aktif halde iken elektrod iş parçasına sürtmesiyle tutuşma başlar.
	9 Nolu led yandığında ve makine TIG modunda ise 1 nolu pot ile kaynak akımını azaltır veya artırır. 10 nolu led yandığında ve makine TIG modunda ise 1 nolu pot ile bitiş rampa süresi ayarlanır. Makine TIG modunda ise 1 nolu potu basılı tuttuğunuzda ön gaz ayarı açılacaktır. 1 nolu potu sağa sola çevirerek ön gaz parametresi ayarlanır; ayardan çıkmak için pota 1 tekrar basın. 11 nolu led yandığında ve makine TIG modunda ise 1 nolu pot ile son gazın parametresi ayarlanır. 2 Tuşu ile örtülü elektrod kaynak modu 4 seçildiğinde 9 nolu led Rutil, 10 nolu Bazik, 11 nolu led Selülozik elektrod seçimini 3 nolu buton ayarlar.

3.2 TIG Eğrisi



3.3 Menü Yapısı

Fonksiyonların modlara göre açık veya kapalı olma durumları aşağıdaki tablodaki gibidir.

Parametre	Değer aralığı	Fabrika Ayarı	LED	Örtülü Elektrod	2 KonumuTIG DC	4 KonumuTIG DC	Punta TIG DC
Üst Akım	5-200 A	80 A	19	✓	✓	✓	✓
Bitiş Rampa Süresi	0-10 sn.	1 sn.	23		✓	✓	
Son Gaz Süresi	0-20 sn.	2 sn.	25		✓	✓	

3.3.1 TIG Kaynağı Yöntemi



HF Tutuşturmalı TIG modunda torçta yüksek tutuşturma gerilimi bulunur. Cihaz çalışır durumda iken, kaynak akımını ileten kaynak elektroduna veya parçalarına asla dokunmayın !

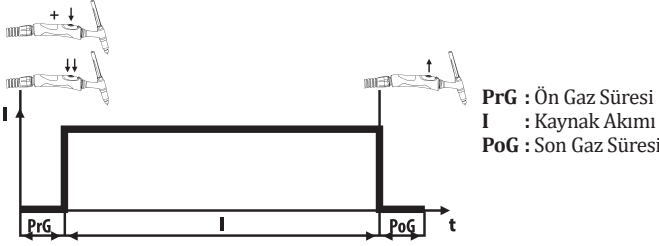
- Tüm parametre ayarlarını kapsayan 10 iş programı makinenin hafızasında tutulur ve kullanıcı tarafından ayarlanarak tekrarlanan işler için kullanılır.
 - Makine ilk kez çalıştırıldığında, tüm parametreler yukarıdaki tabloda belirtilmiş olan fabrika ayarlarındadır.
 - Daha önce parametrelerini ayarladığınız bir programı kullanmak yada bir programdaki parametreleri değiştirmek için program seçin düğmesine basarak programı seçin.
 - Kaynak modu seçim düğmesine basarak HF tutuşturmalı TIG kaynağını veya dokundurma başlatmalı TIG kaynağını seçin.
 - 2 konumu, 4 konumu, Punta konumu seçim düğmesiyle bu modlarda ise uygun olanı seçin.
 - Kaynak parametrelerini değiştirmek için TIG parametreleri seçim düğmelerini kullanın. Değerini değiştirmek istediğiniz parametrenin ledii yanınca parametre ayar düğmesini çevirerek parametreyi ayarlayın. Seçtiğiniz program numarası için yaptığınız son ayarlar otomatik olarak kaydedilecektir; kayıt için ayrıca bir işlem yapmanıza gerek yoktur.
- Parametrelerini ayarladığınız bir programı tekrar kullanmak yada parametrelerini değiştirmek için program seçim düğmesine basarak programı seçip aynı kullanabilir yada parametrelerini değiştirebilirsiniz.

Tungsten Elektrod Çapı "mm"	Tavsiye Edilen TIG Kaynak Akımı "A"
1.6	30-130
2.0	45-180
2.4	70-240

3.3.2 TIG Kaynağı Tetik Modlarının Kullanımı

2 Konumu TIG Kaynağı

Torç tetiğine basıp tuttuğunuzda, ön gazın ardından başlangıç akımı başlar ve rampa süresince akım artarak üst akım seviyesine çıkar ve tetik basılı tutulduğu sürece üst akımda devam eder. Tetiği bıraktığınızda akım bitiş rampa süresince azalır ve bitiş akımı seviyesine inip kaynağı bitirir. Ardından son gaz devreye girer.

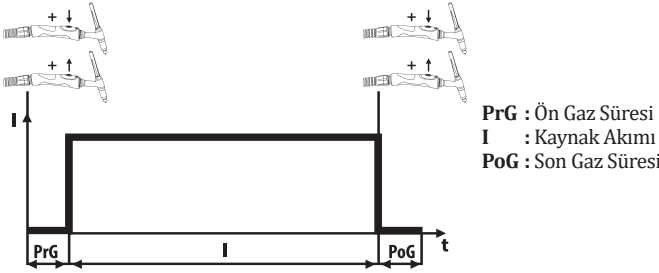


4 Konumu TIG Kaynağı

Torç tetiğine basıp tuttuğunuzda, ön gazın ardından başlangıç akımı başlar ve tetiği bıraktığınızda rampa süresince akım artarak üst akım seviyesine, yani kaynak akımına çıkar. DC modunda kaynak üst akımda, DC PULSE modunda seçilmiş frekansta kaynak üst ve alt akımı arasında salınarak devam eder ve tetiğe 1 sn.'den daha uzun süreli basıp çektikten sonra akım rampa süresince azalarak bitiş akımına ulaşır ve son gaz süresinin ardından işlem sona erer.

Alt akım genellikle kaynak esnasında bir tamir veya hafif soğutma, kaynak bitimlerinde de krater doldurma ve son kapatma amaçlı kullanılmaktadır.

Kaynak bitiminde, ister DC ister PULSE DC modunda olunsun, 1 sn.'den kısa sürede torç tetiğine bastığımızda alt akıma geçiş sağlanır, krater doldurulur ve 1 sn.'den uzun tetiğe basıp çektüğünüzde, bu defa alt akım seviyesinden rampa hızına bağlı olarak bitiş akımına ulaşılır. Bitiş akımının amacı, kaynak bitiş yerinin kontrollü şekilde soğutulmasını sağlayarak, çatlama riskini ortadan kaldırmaktır.



3.3.3 Örtülü Elektrod Kaynağı Yöntemi

Örtülü elektrod kaynağı ledi yanana dek, kaynak modu seçim düğmesine basın. Elektrod tip seçim düğmesi ile kullanacağınız elektrod tipini seçin. Program numaraları ve kaynak parametreleri örtülü elektrod modundayken aktif değildir. Bu modda sadece kaynak akımı LEDi aktif olur. Parametre ayar düğmesi ile kaynak akımını ayarlayın.



BAKIM VE ARIZA BİLGİLERİ

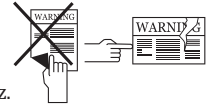
- Makineye yapılacak bakım ve onarımların mutlaka yetkin kişiler tarafından yapılması gerekmektedir. Yetkisiz kişiler tarafından yapılacak müdahaleler sonucu oluşacak kazalardan firmamız sorumlu değildir.
- Onarım esnasında kullanılacak parçaları yetkili servislerimizden temin edebilirsiniz. Orjinal yedek parça kullanımı makinenizin ömrünü uzatacağı gibi performans kayıplarını engeller.
- Her zaman üreticiye veya üretici tarafından belirtilen yetkili bir servise başvurun.
- Garanti süresi içerisinde üretici tarafından yetkilendirilmemiş herhangi bir girişiminde tüm garanti hükümleri geçersiz olacaktır.
- Geçerli güvenlik kurallarına bakım onarım işlemleri sırasında mutlaka uyunuz.
- Tamir için makinenin herhangi bir işlem yapılmadan önce, makinenin elektrik fişini şebekeden ayırınız ve kondansatörlerin boşalması için 10 saniye bekleyiniz.

4.1 Bakım



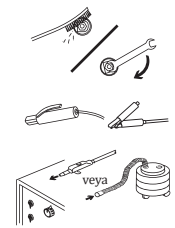
Günlük Bakım

- Torcun, penselerin ve kablolarınızın kontrolünü yapınız. Parçaların bağlantılarına ve sağlamlığına dikkat ediniz. Hasar görmüş / arızalı parçaları yenisi ile değiştiriniz. Kablolara ek / onarım kesinlikle yapmayınız.
- Havalandırma için yeterli alan olduğuna emin olunuz.
- TIG torcu üzerindeki sarf malzemeler düzenli olarak temizlenmelidir. Eğer gerekiyorsa değiştirilmelidir. Bu malzemelerin uzun süreli kullanılması için orjinal ürünler olmasına dikkat edilmelidir.
- Kaynağa başlamadan önce torcun ucundan çıkan gaz debisini debimetre ile kontrol ediniz. Gazın debisi yüksek veya düşük ise yapılacak kaynağa uygun seviyeye getiriniz.



6 Ayda Bir

- Cihaz üzerindeki uyarı etiketlerini sökmeyiniz. Yıpranmış / yırtılmış etiketleri yenisi ile değiştiriniz. Etiketleri yetkili servisten temin edebilirsiniz.
- Civata, somun gibi birleştirici parçaları temizleyiniz ve sıkıştırınız.
- Elektrod pensesi ve toprak pensesi kablolarını kontrol ediniz.
- Makinenin yan kapaklarını açarak düşük basınçlı kuru hava ile temizleyiniz. Elektronik parçalara yakın mesafeden basınçlı hava uygulamayınız.
- Makinenin elektrik besleme fişinin bağlı olduğu prizi kontrol ediniz. Prizin enerji kablosu bağlantı noktalarında gevşeklik var ise gideriniz. Prizin yuvalarında ark veya genişleme var ise yenisi ile değiştiriniz.
- Makinenin elektrik besleme fişini kontrol ediniz. Elektrik fişinin içindeki kablo bağlantı noktalarında gevşeklik var ise gideriniz. Fişin uçlarında ark veya deformasyon var ise yenisi ile değiştiriniz.



NOT: Yukarıda belirtilen süreler, cihazınızda hiçbir sorunla karşılaşmaması durumunda uygulanması gereken maksimum periyotlardır. Çalışma ortamınızın yoğunluğuna ve kirliliğine göre yukarıda belirtilen işlemleri daha sık aralıklarla tekrarlayabilirsiniz.



Asla kaynak makinesinin kapakları açıkken kaynak yapmayın.

4.2 Hata Giderme

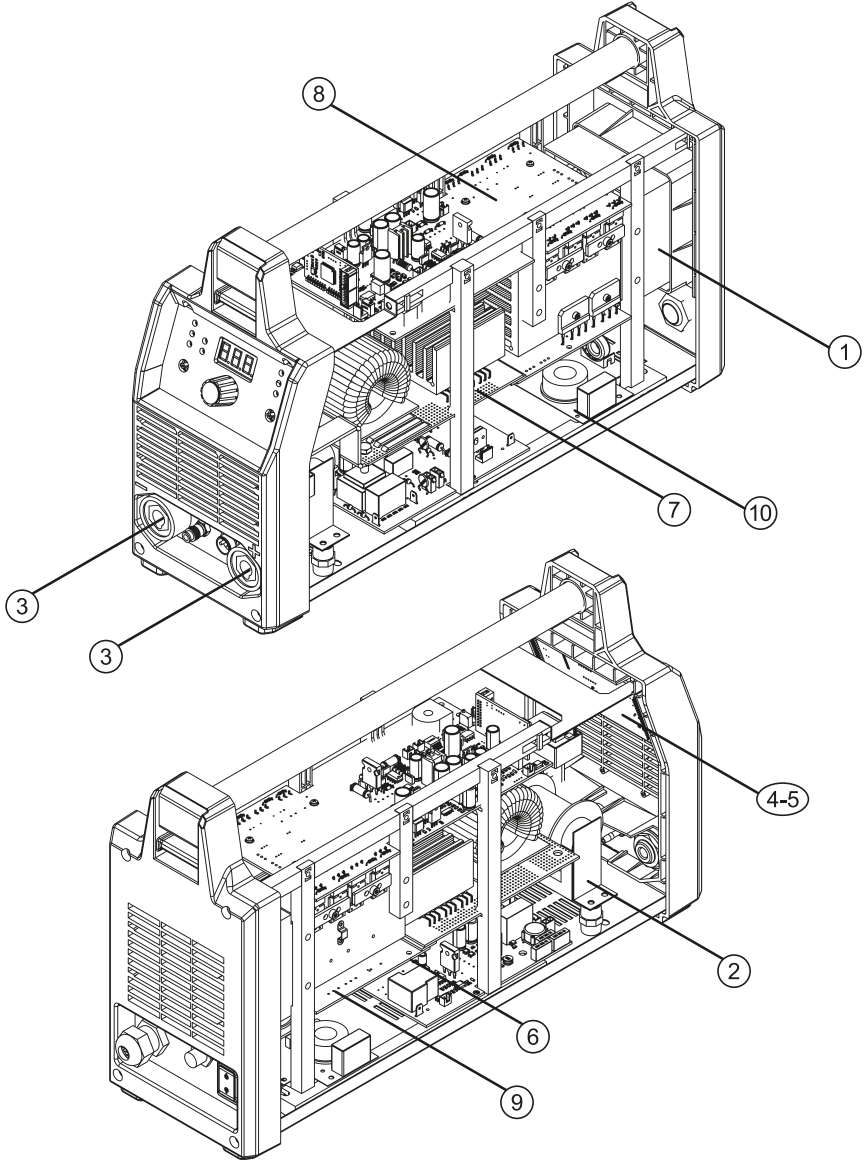
- Ön paneldeki termik arıza ledi yanarken makine kaynak yapmıyorsa, makine aşırı ısınmış ve termostat korumaya geçmiş olabilir. Havadaki yüksek sıcaklık ya da yüksek amper değerlerinde uzun süre kaynak yapmış olmanız aşırı ısınmanın muhtemel sebepleridir. Fanın makineyi soğutması için makineyi bir süre çalışır durumda bırakın. Makine soğuyup termik arıza ledi söndüğünde kaynağa devam edebilirsiniz.
- Fan çalışıyor ve açma/kapama düğmesinin ışığı yanarken makine kaynak yapmıyorsa, makineyi kapatıp 1 dakika bekleyip makineyi tekrar çalıştırın ve kaynak yapmayı deneyin. Eğer hala kaynak yapmıyorsa, yetkili servise başvurun.

4.3 Hata Kodları

Hata Kodu	Hata	Neden	Çözüm
E01	Termal Koruma (Birincil)	<ul style="list-style-type: none"> • Makinenizin devrede kalma oranı aşımış olabilir 	<ul style="list-style-type: none"> • Bir süre bekleyerek makinenin soğumasını sağlayınız . Arıza ortadan kalkıyor ise daha düşük amper değerlerinde kullanmaya çalışınız • Sorun devam ediyorsa yetkili servis ile iletişime geçiniz
		<ul style="list-style-type: none"> • Fan çalışmıyor olabilir 	<ul style="list-style-type: none"> • Fanın çalışıp çalışmadığını göz ile kontrol ediniz • Sorun devam ediyorsa yetkili servis ile iletişime geçiniz
		<ul style="list-style-type: none"> • Hava giriş-çıkış kanallarının önü kapanmış olabilir 	<ul style="list-style-type: none"> • Hava kanallarının önünü açınız • Sorun devam ediyorsa yetkili servis ile iletişime geçiniz
		<ul style="list-style-type: none"> • Makine çalışma ortamı aşırı sıcak ya da havasız olabilir 	<ul style="list-style-type: none"> • Makine çalışma ortamının aşırı sıcak ya da havasız olmadığından emin olunuz • Sorun devam ediyorsa yetkili servis ile iletişime geçiniz
E02	Şebeke Voltajı Düşük	<ul style="list-style-type: none"> • Şebeke voltajı düşmüş olabilir 	<ul style="list-style-type: none"> • Şebeke bağlantı kablolarını ve voltajını kontrol ediniz. Doğru voltaj girişi sağlandığından emin olunuz. Şebeke voltajı normal ise yetkili servis ile iletişime geçiniz
E03	Şebeke Voltajı Yüksek	<ul style="list-style-type: none"> • Şebeke voltajı yükselmiş olabilir 	<ul style="list-style-type: none"> • Şebeke bağlantı kablolarını ve voltajını kontrol ediniz. Doğru voltaj girişi sağlandığından emin olunuz. Şebeke voltajı normal ise yetkili servis ile iletişime geçiniz

EKLER

5.1 Yedek Parça Listesi



5.1 Yedek Para Listesi

NO	TANIM	monoTIG 160i
1	Kompakt Fan	A250200026
2	HF Trafosu	A366700008
	Hall Effekt Sensör 300A	A834000001
3	Kaynak Prizi	A377900104
4	Elektronik Kart E505A-1	K405000186
5	Elektronik Kart E505A-2	K405000187
6	Elektronik Kart E505A-3	K405000185
7	Elektronik Kart E203A PWR/200TIG	K405000176
8	Elektronik Kart M.TIG 200I E204A-GR	K405000191
9	Elektronik Kart E203A AC PWR	K405000226
10	Elektronik Kart E201B-FLT TIG/	K405000295

TR

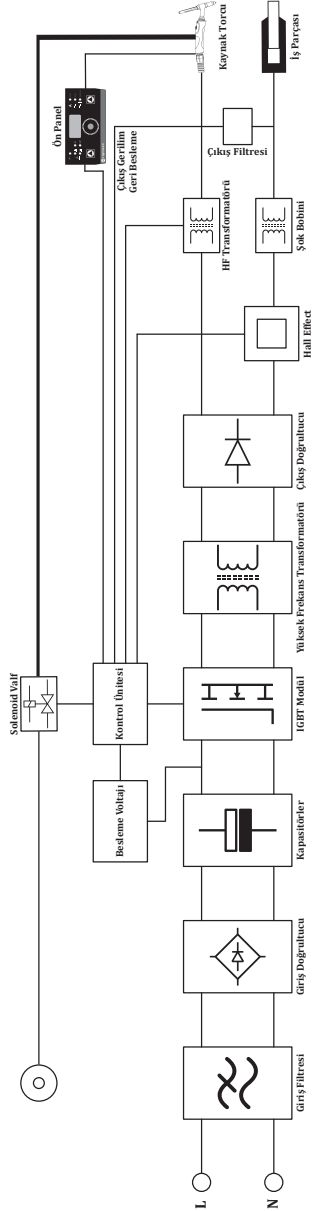
5.1 Yedek Parça Listesi

NO	TANIM	monoTIG 200i
1	Kompakt Fan	A250200026
2	HF Trafosu	A366700008
	Hall Effekt Sensör 300A	A834000001
3	Kaynak Prizi	A377900104
4	Elektronik Kart E505A-1	K405000186
5	Elektronik Kart E505A-2	K405000187
6	Elektronik Kart E505A-3	K405000185
7	Elektronik Kart E203A PWR/200TIG	K405000176
8	Elektronik Kart M.TIG 200I E204A-GR	K405000191
9	Elektronik Kart E203A AC PWR	K405000226
10	Elektronik Kart E201B-FLT TIG/	K405000295

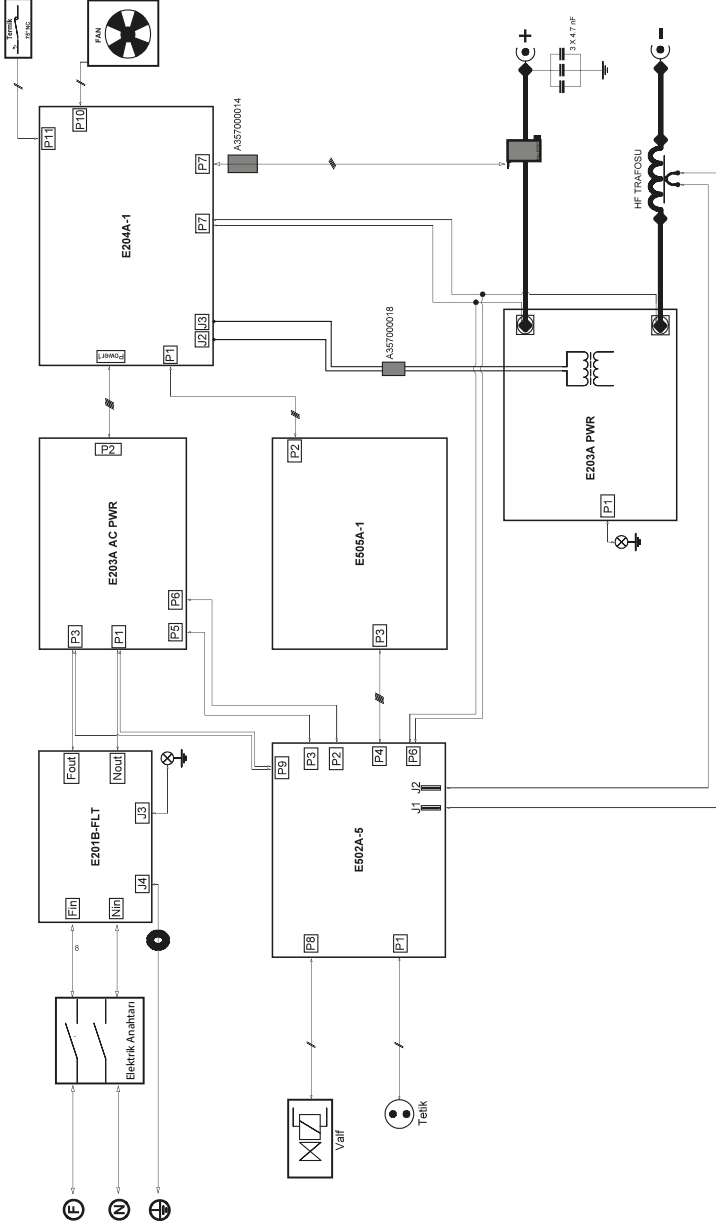
TR

5.2 Bağlantı Şemaları

Blok Diyagram



Devre Şeması



MALIN**Modeli****Seri Numarası****İMALATÇI / İTHALATÇI FİRMANIN****Ünvanı**

MAGMA MEKATRONİK MAKİNE SANAYİ VE TİCARET A.Ş.

Adresi

Organize Sanayi Bölgesi 5. Kısım MANİSA

Telefonu / E - Postası

+90 236 226 27 00 / info@magmaweld.com

SATICI FİRMANIN**Ünvanı****Adresi****Telefonu / E-Postası****Fatura Tarihi ve No.****ALICININ****Ünvanı****Adresi****Telefonu / E - Postası****Teslim Alanın Adı Soyadı****KURULUMU YAPAN SERVİSİN****Ünvanı****Teknisyenin Adı Soyadı****Devreye Alma Tarihi**
(Garanti Başlama Tarihi)

Garanti Şartları için www.magmaweld.com.tr/garanti-sartlari/wt web sitemizi ziyaret ediniz.

MAGMA MEKATRONİK MAKİNE SANAYİ VE TİCARET A.Ş.

www.magmaweld.com

DECLARATION OF CONFORMITY UYGUNLUK DEKLARASYONU



Company / Firma

Magma Mekatronik Makine Sanayi ve Ticaret A.Ş.
Organize Sanayi Bölgesi 5. Kısım Yalçın Özaras Caddesi No:1 45030 Manisa / TÜRKİYE

Factory / Fabrika

Magma Mekatronik Makine Sanayi ve Ticaret A.Ş.
Organize Sanayi Bölgesi 5. Kısım Yalçın Özaras Caddesi No:1 45030 Manisa / TÜRKİYE

The Product / Ürün

Appropriate for professional and industrial usage.
MONOTIG 160i 160Amp (%30) TIG Welding Machine

Profesyonel ve endüstriyel kullanıma uygun
MONOTIG 160i 160Amp (%30) TIG Kaynak Makinesi

Date of assessment / Değerlendirme Tarihi

18.11.2019

European Standard / Avrupa Standartı

EN IEC 60974-1:2018 , EN 60974-10:2014

Meet the requirements of the European Directive

Gereklilikler Karşılanan Avrupa Direktifleri

EMC Directive 2014/30/EU - LVD Directive 2014/35/EU

Magma Mekatronik Makine Industry and Trade Co. We declare that the above mentioned products comply with the standard. This declaration will loose its validity in case of modification on the welding machine without our written authorization.

Magma Mekatronik Makine Sanayi ve Ticaret A.Ş. olarak yukarıda geçen ürünün standartlara uygun olduğunu beyan ederiz. Yazılı iznimiz olmaksızın makine üzerinde yapılan değişiklikler bu belgeyi geçersiz kılacaktır.

Date of issue / Yayın Tarihi

Manisa - 06.10.2021

Barış Özgür TUĞGAN
Ar-Ge Müdürü / R&D Manager

MAGMA MEKATRONİK MAKİNE SANAYİ VE TİCARET A.Ş.

www.magmaweld.com

DECLARATION OF CONFORMITY UYGUNLUK DEKLARASYONU



Company / Firma

Magma Mekatronik Makine Sanayi ve Ticaret A.Ş.
Organize Sanayi Bölgesi 5. Kısım Yalçın Özaras Caddesi No:1 45030 Manisa / TÜRKİYE

Factory / Fabrika

Magma Mekatronik Makine Sanayi ve Ticaret A.Ş.
Organize Sanayi Bölgesi 5. Kısım Yalçın Özaras Caddesi No:1 45030 Manisa / TÜRKİYE

The Product / Ürün

Appropriate for professional and industrial usage.
MONOTIG 200i 200Amp (%25) TIG Welding Machine

Profesyonel ve endüstriyel kullanıma uygun
MONOTIG 200i 200Amp (%25) TIG Kaynak Makinesi

Date of assessment / Değerlendirme Tarihi

18.11.2019

European Standard / Avrupa Standartı

EN IEC 60974-1:2018 , EN 60974-10:2014

Meet the requirements of the European Directive

Gereklilikler Karşılanan Avrupa Direktifleri

EMC Directive 2014/30/EU - LVD Directive 2014/35/EU

Magma Mekatronik Makine Industry and Trade Co. We declare that the above mentioned products comply with the standard. This declaration will loose its validity in case of modification on the welding machine without our written authorization.

Magma Mekatronik Makine Sanayi ve Ticaret A.Ş. olarak yukarıda geçen ürünün standartlara uygun olduğunu beyan ederiz. Yazılı iznimiz olmaksızın makine üzerinde yapılan değişiklikler bu belgeyi geçersiz kılacaktır.

Date of issue / Yayın Tarihi

Manisa - 06.10.2021

Barış Özgür TUĞGAN
Ar-Ge Müdürü / R&D Manager



ЕВРАЗИЙСКИЙ ЭКОНОМИЧЕСКИЙ СОЮЗ ДЕКЛАРАЦИЯ О СООТВЕТСТВИИ

Заявитель Общество с ограниченной ответственностью "МАГМАВЭЛД СПб"

Место нахождения и адрес места осуществления деятельности: 191124, Россия, город Санкт-Петербург, улица Ставропольская, Дом 10, Литера А, Помещение 217

Основной государственный регистрационный номер 1187847141503.

Телефон: +78123317470 Адрес электронной почты: magmaweld@inbox.ru

в лице Генерального директора Гавшинского Андрея Львовича

заявляет, что Оборудование для сварки и газотермического напыления: аппараты для дуговой сварки модели:

MINISTICK, MINISTICK DELUXE, MEGASTICK, MEGASTICK DELUXE, ID 800E, MONOSTICK 165i, MONOSTICK 200i, PROSTICK 200i, ID 250 E, ID 300 E, ID 350 E, ID 400 E, RD 500 E, RD 650 E, GL 451, TD 355, GL 600, ID 250E BASIC, MONOTIG 160i BASIC, MONOTIG 160i, MONOTIG 200i, MONOTIG 160ip, MONOTIG 220ip, MONOTIG 220ip AC/DC, ID 250 T DC, ID 300 T DC, ID 250 T DC PULSE, ID 300 T DC PULSE, ID 250 TW DC, ID 300 TW DC, ID 250 TW DC PULSE, ID 300 TW DC PULSE, ID 300 T AC/DC PULSE, ID 300 TW AC/DC PULSE, ID 500TW DC PULSE, ID 500TW AC/DC PULSE, MONOMIG 200ik, ID 300 M, MEGAMIG, RS 65 PCA, ID 65 PCB, ID 300 M SMART, ID 300 M PULSE SMART, ID 300 M EXPERT, ID 300 M PULSE EXPERT, ID 300 MW SMART, ID 300 MW PULSE SMART, ID 300 MW EXPERT, ID 300 MW PULSE EXPERT, ID 400 M SMART, ID 400 M PULSE SMART, ID 400 M EXPERT, ID 400 M PULSE EXPERT, ID 400 MW SMART, ID 400 MW PULSE SMART, ID 400 MW EXPERT, ID 400 MW PULSE EXPERT, ID 500 M SMART, ID 500 M PULSE SMART, ID 500 M EXPERT, ID 500 M PULSE EXPERT, ID 500 MW SMART, ID 500 MW PULSE SMART, ID 500 MW EXPERT, ID 500 MW PULSE EXPERT, ID 300 MK SMART, ID 300 MK PULSE SMART, ID 300 MK EXPERT, ID 300 MK PULSE EXPERT, ID 300 MKW SMART, ID 300 MKW PULSE SMART, ID 300 MKW EXPERT, ID 300 MKW PULSE EXPERT, ID 400 MK SMART, ID 400 MK PULSE SMART, ID 400 MK EXPERT, ID 400 MK PULSE EXPERT, ID 400 MKW SMART, ID 400 MKW PULSE SMART, ID 400 MKW EXPERT, ID 400 MKW PULSE EXPERT, RS 200 MK, RS 250 M, RS 250 MK, RS 300 M, RS 300 MK, RS 350 M, RS 350 M PRO, RS 350MK PRO, RS 350MW PRO, RS 350 MW, RS 350 MK, RS 400 M, RS 400 MW, RS 400 MK, RS 450M PRO, RS 450 MW PRO, RS 500 M, RS 500 MW, RS 550 M PRO, RS 550 MW PRO, RD 650 MW.

Изготовитель "Magma Mekatronik Makine Sanayi ve Ticaret A.S."

Место нахождения и адрес места осуществления деятельности по изготовлению продукции: Турция, Organize Sanayi Bölgesi, 5.Kisim, 45030 Manisa

Филиал: "MAGMAWELD ULUSLARARASI TICARET A.S." Турция, Dereboyu Cad. Bilim Sok. Sun Plaza 5/7 Maslak, 34398 Istanbul Продукция изготовлена в соответствии с Директивой 2014/35/EU

"Низковольтное оборудование", Директивой 2014/30/EU "Электромагнитная совместимость", Директивой 2006/42/ЕС "Безопасность машин и оборудования".

Код (коды) ТН ВЭД ЕАЭС: 8515391800

Серийный выпуск.

соответствует требованиям

Технического регламента Таможенного союза ТР ТС 004/2011 "О безопасности низковольтного оборудования"

Технического регламента Таможенного союза ТР ТС 010/2011 "О безопасности машин и оборудования"

Технического регламента Таможенного союза ТР ТС 020/2011 "Электромагнитная совместимость технических средств"

Декларация о соответствии принята на основании

Протокола испытаний № 00501/ТС/072021 от 07.07.2021 года, выданного Испытательной лабораторией ООО «ТЕХНОСИИ» (регистрационный номер аттестата аккредитации RU.SSK4.04ЕЛКО)

Схема декларирования соответствия: Id

Дополнительная информация

Условия хранения: продукция хранится в сухих, проветриваемых складских помещениях при температуре от 0 °С до +30 °С, при относительной влажности воздуха не более 80 %. Срок хранения: изготовителем не установлен. **Срок службы: 5 лет.**

Декларация о соответствии действительна с даты регистрации по 11.07.2024 включительно


(подпись)



Гавшинский Андрей Львович

(Ф.И.О. заявителя)

Регистрационный номер декларации о соответствии: ЕАЭС N RU Д-TR.PA01B.00558/21

Дата регистрации декларации о соответствии: 14.07.2021



YETKİLİ SERVİSLER

MERKEZ SERVİS

Organize Sanayi Bölgesi, 5. Kısım 45030 MANİSA

Telefon : 444 93 53

E-Posta : info@magmaweld.com

YETKİLİ SERVİSLER



Güncel servis listemiz için www.magmaweld.com.tr/servis-listesi web sitemizi ziyaret ediniz.

Magma Mekatronik Makine Sanayi ve Ticaret A.Ş.
Organize Sanayi Bölgesi, 5. Kısım 45030 Manisa, TÜRKİYE

01.05.2023
UM_MONOT160_200_082022_052023_002_120



(+90) 444 93 53
magmaweld.com
info@magmaweld.com